

1 2 3 4 5 6

A

A

B

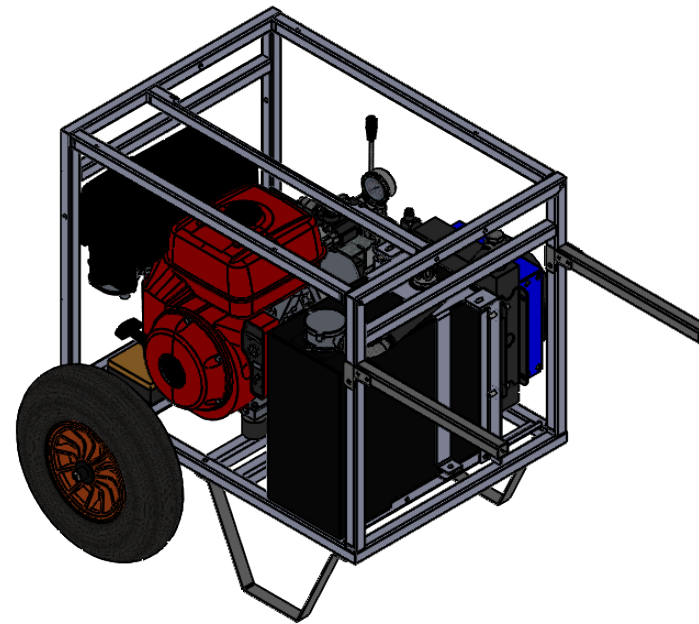
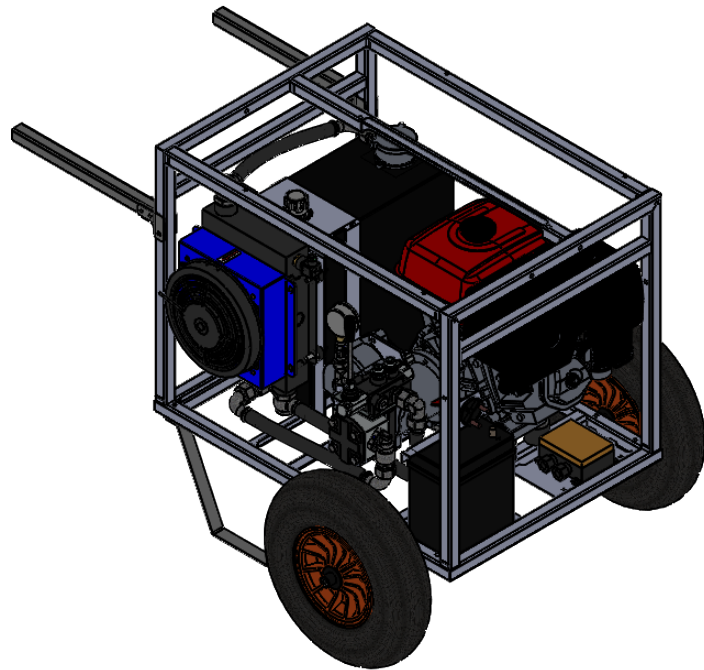
B

C

C

D

D



UNLESS OTHERWISE SPECIFIED: DIMENSIONS ARE IN MILLIMETERS BREAK SHARP EDGES: 0.1 TO 0.25 mm TOLERANCES: ISO 2768 - mK		FINISH: --	
GENERAL ROUGHNESS: 6.4		MAT.: --	
		AMERICAN PROJECTION	
	NAME	SIGNATURE	DATE
DRAWN			maandag 19 maart 2018 09:35:41
CHK'D			
SCALE: 1:15		SHEET 1 OF 2	

Pierik Techniek



Lonnekerbrugstraat 102A
7547 AK Enschede
Tel.: 053 7113860

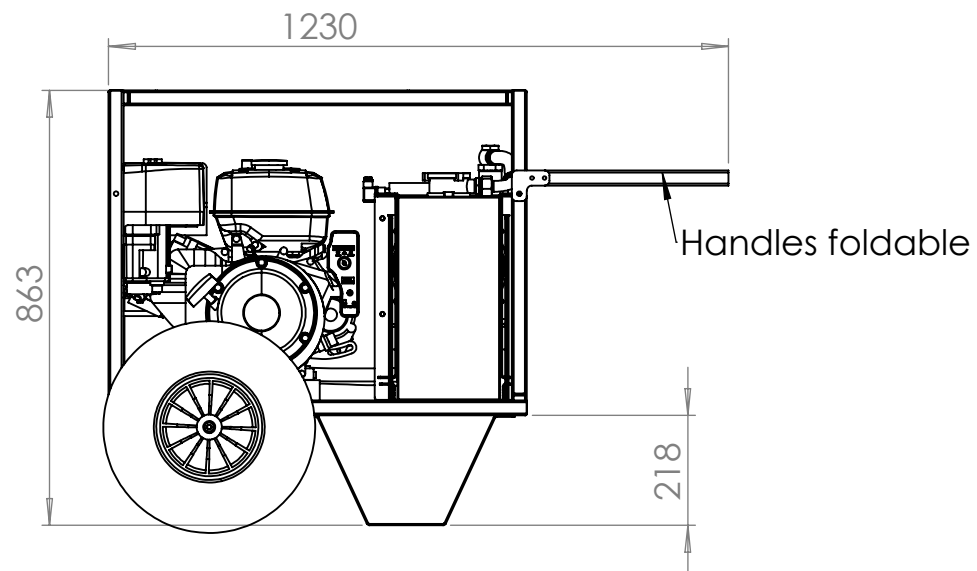
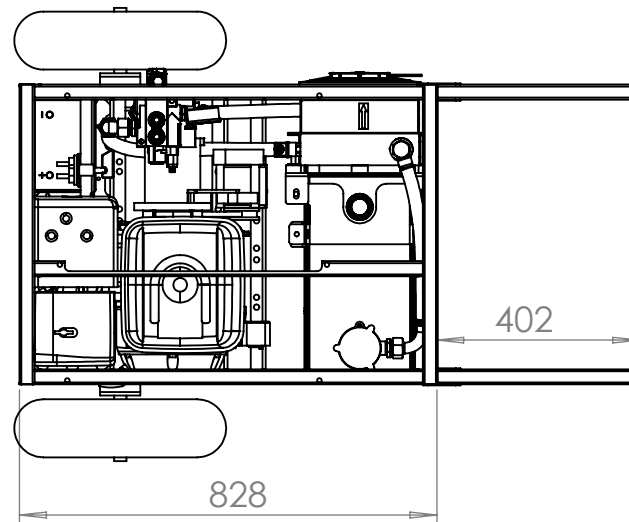
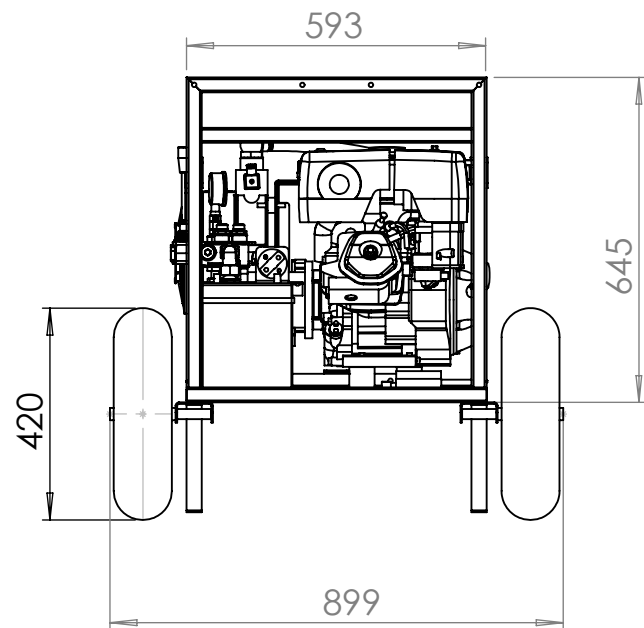
email: info@pieriktechniek.nl
homepage: www.pieriktechniek.nl

DWG NO: TITLE:
HALV 170410 - A001 Wheelbarrow 2D

LAST SAVED DATE: 19-3-2018 MASS:75.24 kg. SHEET:A4

The contents of this drawing is the property of Pierik Techniek BV and may not be copied, reproduced, disclosed to a third party or used for engineering, design, manufacture in whole or in part without written content ®

1 2 3 4 5 6



UNLESS OTHERWISE SPECIFIED: DIMENSIONS ARE IN MILLIMETERS BREAK SHARP EDGES: 0.1 TO 0.25 mm TOLERANCES: ISO 2768 - mK		FINISH: --	
GENERAL ROUGHNESS: 3.2		MAT.: --	
		AMERICAN PROJECTION	
	NAME	SIGNATURE	DATE
DRAWN			maandag 19 maart 2018 09:35:41
CHK'D			
SCALE: 1:15		SHEET 2 OF 2	

Pierik Techniek



Lonnekerbrugstraat 102A
7547 AK Enschede
Tel.: 053 7113860

email: info@pieriktechniek.nl
homepage: www.pieriktechniek.nl

DWG NO: TITLE:
HALV 170410 - A001 Wheelbarrow 2D

LAST SAVED DATE: 19-3-2018 MASS:75.24 kg. SHEET:A4

The contents of this drawing is the property of Pierik Techniek BV and may not be copied, reproduced, disclosed to a third party or used for engineering, design, manufacture in whole or in part without written content ®