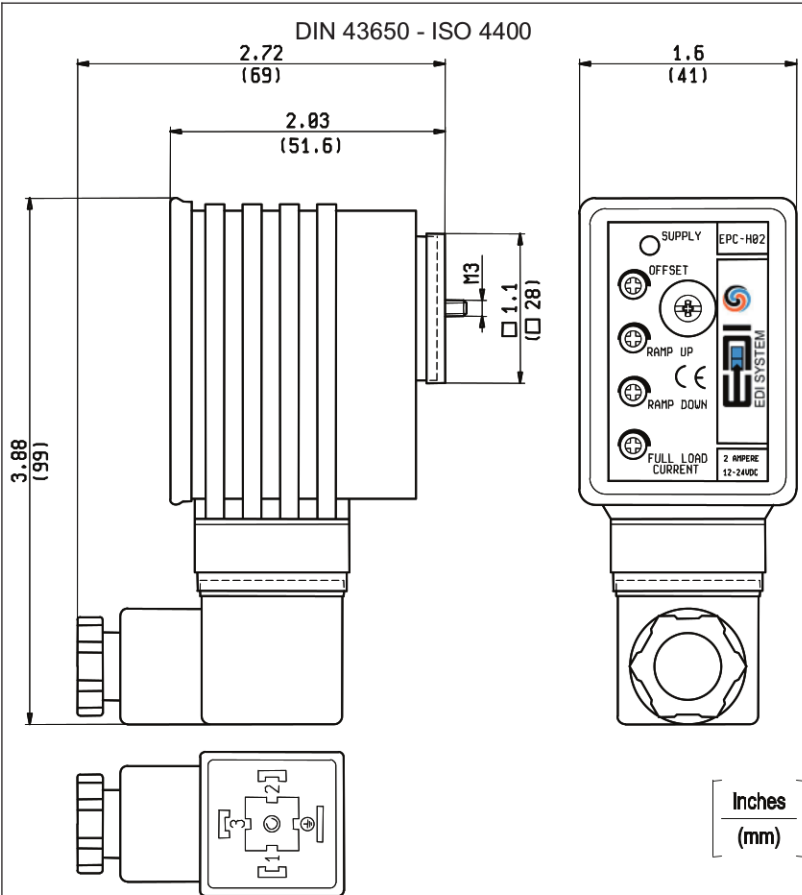


EPC-H02

OD.01.91.20.00. OC.01



VERY IMPORTANT

Do not remove the amplifier from the coil while the power is on. This will cause a failure in the internal circuits of the amplifier, resulting in loss of output to the coil.

INSTRUCTIONS FOR SETTING

SUPPLY Yellow LED
OFF SET Minimum current adjustment. Adjust solenoid current so that the desired minimum value is obtained. Clockwise rotation increases current.
RAMP UP Ramping up time adjustment.
RAMP DW Ramping down time adjustment.
 For long ramping times, turn potentiometers clockwise, for short ramping times, turn potentiometers counter clockwise.
FULL LOAD C Maximum current adjustment. Adjust solenoid current so that the desired maximum value is obtained (up to 2A). Clockwise rotation increases current.
FREQUENCY ADJ. Adjusting this internal potentiometer (after removing the external plastic cover), it is possible to set the PWM frequency obtaining the desired control sensitivity. Clockwise rotation increases frequency from 100 to 500 Hz max.

TECHNICAL DATA

Supply voltage	10 ÷ 30	V DC
Control signal	0 ÷ 7.5	V DC
Maximum output current 12 and 24 V DC	2	A
Minimum output current	0 ÷ 0.6	A
Ramp adjustment up/down	0 ÷ 10	s
Frequency adjustment (PWM)	100÷500	Hz
Ambient operating temperature	-50 ÷ 140 °F	(-10 ÷ 60 °C)
Weight	0.260 lbs (0.120 kg)	
Connector Features	page 1.71.010	
Electromagnetic Compatibility	EN50081-1/2 EN61000-4-2/3/4/5/6	
Protection IP 65	DIN 40050 part 9	
Only with protection seals properly mounted.		

CONNECTION EXAMPLE

with external potentiometer

