

# BDI50

## COMPACT V/f & SENSORLESS INVERTER



### MUCH MORE THAN AN ENTRY LEVEL

SIMPLE, FLEXIBLE AND POWERFUL

EASY OPERATIONS FOR MULTI-PURPOSE APPLICATIONS

MAXIMUM FLEXIBILITY IN MACHINE INTEGRATION

Modbus **can**open  DeviceNet  BACnet

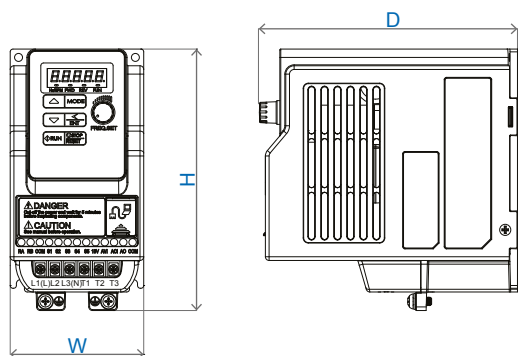


# GEFRAN

## SPECIFICATION / RANGE / DIMENSION

	<b>POWER</b>							
<b>kW ( Hp )</b>	0.4 (0.5)	0.75 (1.0)	1.5 (2.0)	2.2 (3.0)	3.7 (5.0)	5.5 (7.5)	7.5 (10)	11 (15)
<b>230 Vac, Single phase</b>	Size 1		Size 2					
<b>230 Vac, 3-phase</b>				Size 2				Size 4
<b>400 Vac, 3-phase</b>				Size 2		Size 3		Size 4

<b>GENERAL SPECIFICATIONS</b>			
<b>Control characteristics</b>	Control mode	V/f Control, Sensorless control (SLV)	
	Speed control accuracy	1% (SLV), 3% (V/f open-loop)	
	Output frequency range:	0.01~599 Hz	
	V/f curve	6 fixed + 1 customized	
	Carrier frequency	1-16 kHz (default 5 kHz)	
	PID function	Built-in	
<b>Protection functions</b>	Main features	Autotune, Torque compensation, Slip compensation, 8 preset speeds, Auto-run, PID control, torque boost, V/f starting Frequency, Fault reset, Powerloss ride through, DC-brake, Mechanical brake control, AVR function, Fan control	
	Overload capacity	150% for 60sec	
	Stall Prevention	Stall prevention for Acceleration, Deceleration and continuous Run	
	Motor over-temperature protection	By PTC (AVI)	
	Overvoltage protection	230V Class: > 410V, 400V Class: > 820V	
	Undervoltage protection	230V Class: < 190V, 400V Class: < 380V	
<b>Other features</b>	Auto-restart	Inverter auto-restart after a momentary power loss.	
	Input / output	Multifunction digital input:	5, NPN/PNP by dedicated models
		Multifunction digital output:	1, Relay
		Multifunction analog input:	2, AVI: 0~10V/2~10V, ACI: 0~20mA/4~20mA
		Multifunction analog output:	1, 0-10V
	Keypad	Built-in 5 digit 7-segments LED display, potentiometer built-in	
	EMI Filter	Built-in on -F version 1ph 230V Class and 3ph 400V Class	
	Braking unit	Built-in on 3ph 400V Class and 3ph 230V Class 7.5 kW	
	Communication	Built-in: RS485 Modbus RTU/ASCII, BACnet Optional: Profibus/CANopen/DeviceNet/TCP-IP	
	Operating temperature	-10~ +40°C (size 1), -10~+50°C (all other sizes)	
Protection degree	IP20		
Certification	CE, UL508C, RoHS		



<b>Mechanical size</b>	<b>DIMENSIONS - mm</b>			<b>Weight kg</b>
	<b>W</b>	<b>H</b>	<b>D</b>	
<b>1</b>	72.0	141.0	141.0	0.9 (1.0*)
<b>2</b>	118.0	144.0	150.0	1.4 (1.5*)
<b>3</b>	129.0	197.5	148.0	2.2 (2.4*)
<b>4</b>	187.0	273.0	190.0	6.3 (6.3*)

\* with filter



**Drive & Motion Control Unit**  
Via Carducci, 24  
21040 GERENZANO (VA) ITALY  
Ph. +39 02967601  
Fax +39 029682653  
info.motion@gefran.com

**Technical Assistance:**  
technohelp@gefran.com  
**Customer Service**  
motioncustomer@gefran.com  
Ph. +39 02 96760500  
Fax +39 02 96760278



GEFRAN