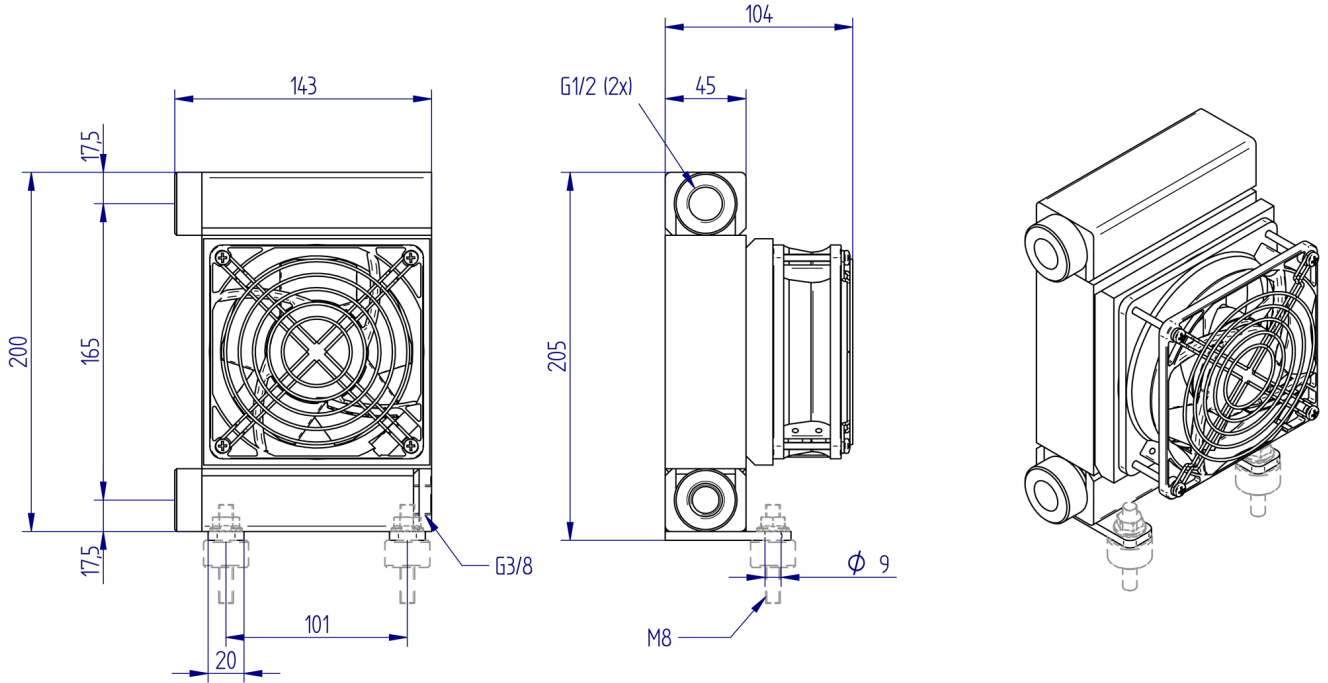


# HY series HY005.1-02A

## AIR-OIL HEAT EXCHANGERS

IP68

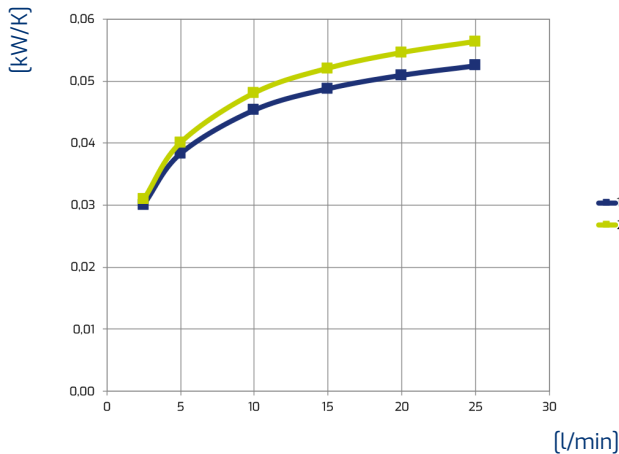
12  
Volt



### Technical data

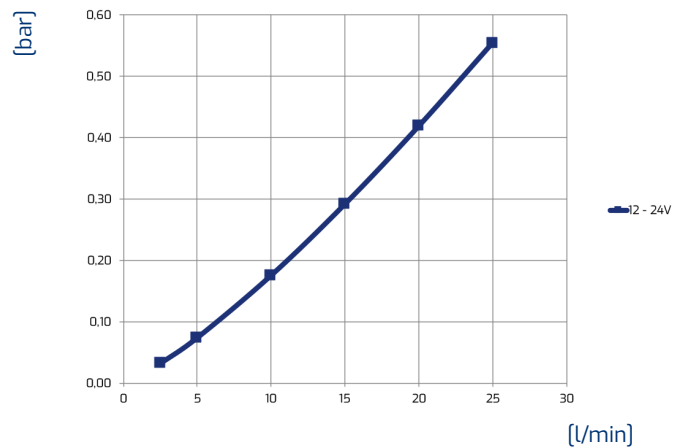
Item	Oil flow	Capacity	Weight	Voltage	Frequency	Current absorption	Power	Ø Fan	Air flow	Noise level	Rpm
	[l/min]	[l]	[kg]	[V]	[Hz]	[A]	[W]	[mm]	[m³/h]	[dB(A)]	
<b>HY005.1-02A</b>	2,5-25	0,6	3	12		0,42	5	115	170	43	

### Performance



Oil T 80°C  
T Amb. 40°C  
1 kW = 860 Kcal/h - 1 HP = 0,75 kW

### Pressure drop



ISO VG 32 at 40°C

#### Viscosity - ISO VG 32 Oil

Oil	22	32	46	68	150
Correction factor	0,8	1	1,2	1,6	3