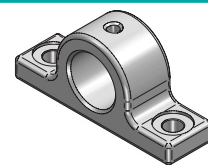
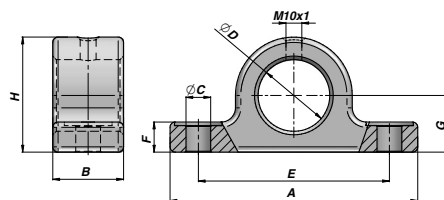
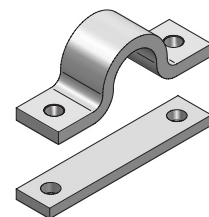
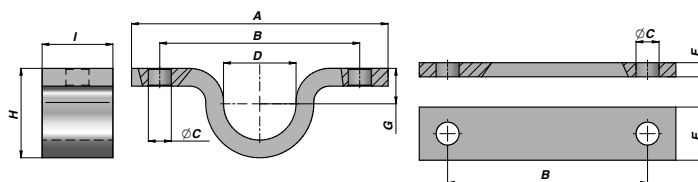


SUPPORTO CILINDRO (COPPIA)
CYLINDER SUPPORT (COUPLE)
ZYLINDERLAGER (PAAR)



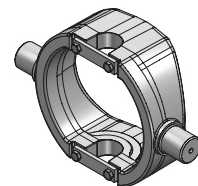
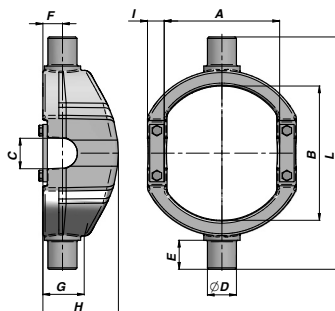
Codice Code Bestell-Nr.	Ref.	A	B	ØC	ØD	E	F	G	H		kg
IHA70035001	SC35	140	40	14	35,5	108	17	32	65		1,5
IHA70040001	SC40	140	40	14	40,5	108	17	32	65		1,5
IHA70045001	SC45	140	40	14	45,5	108	17	32	65		1,5

SUPPORTO BILANCIERE (COPPIA)
CRADLE SUPPORT (COUPLE)
LAGER FÜR KARDANRING (PAAR)



Codice Code Bestell-Nr.	Ref.	A	B	ØC	D	E	F	G	H	I	kg
IHA60035001	SB35	145	113	13	35,5	30	8	18	46	40	1,0
IHA60040001	SB40	145	113	13	40,5	30	8	20	51	40	1,0
IHA60045001	SB45	145	113	13	45,5	30	8	23	56	40	1,0

BILANCIERE
CRADLE
KARDANRING



Codice Code Bestell-Nr.	Ref.	Portata max Max Capacity Max Tragkraft	A	B	C	ØD	E	F	G	H	I	L	kg
		ton											
IHA5L080001	L08	11	167	215	45	45	40	30	90	115	35	360	11,5
IHA5L060001	L06-L04	8	150	185	40	40	40	27	68	105	20	320	9,0
IHA5L020001	L02	4	125	165	36,5	35	37,5	27	62	76	20	275	5,5



Disponibile anche un'ampia gamma di cilindri FRONTALI e SOTTOCASSA per impieghi MEDIUM e HEAVY.

Full range of FRONT MOUNT and UNDER BODY CYLINDERS for MEDIUM and HEAVY DUTY also available.

Breite Palette von FRONTHEBEZYLINDERN und UNTERFLURZYLINDERN zu MITTEL- UND SCHWERANWENDUNG auch verfügbar.