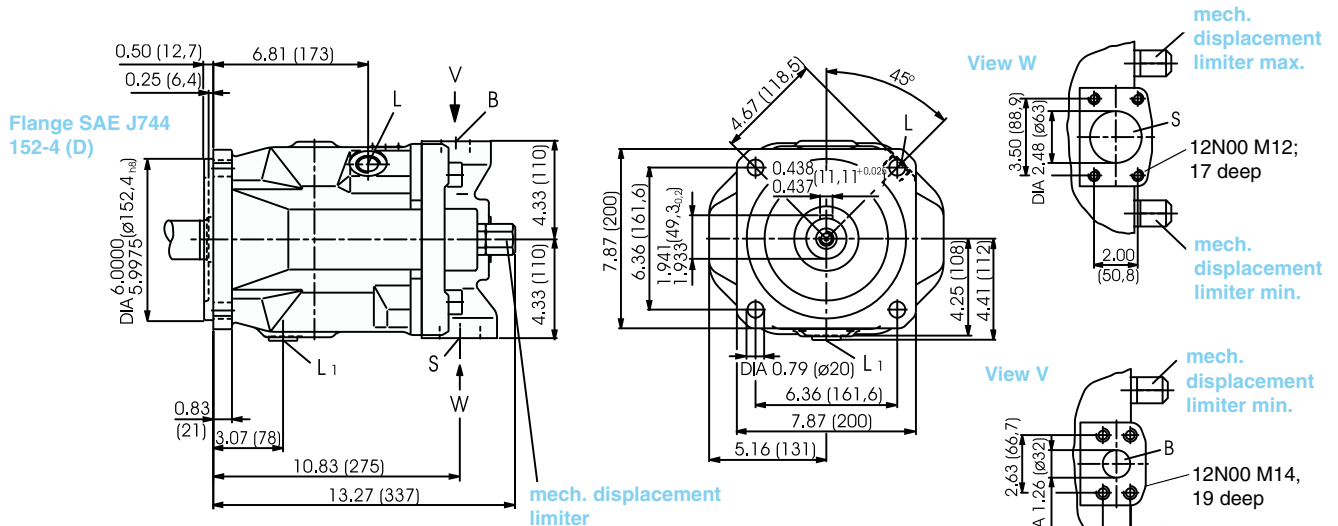


# MOUNTING DIMENSIONS, SIZE 140

## SERIES 31

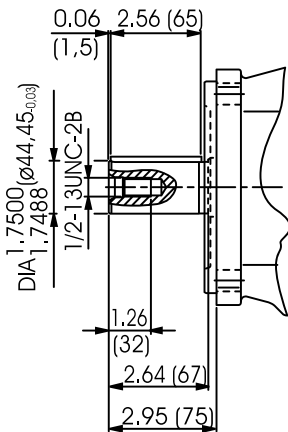
### H(S)P-10VI40

SERVICE PORTS ON SIDE; NON THROUGH DRIVE, MODELS 62N00 AND 12N00

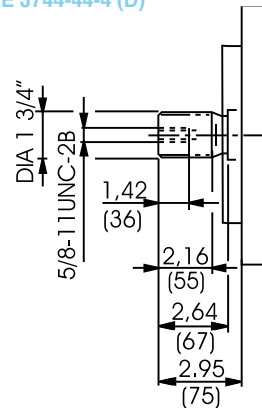


**Shaft end**

**K Parallel with key ISO 3019-1 44-1**



**S Splined shaft 1 3/4 in 13T 8/16 DP SAE J744-44-4 (D)**



Designation	Port for	Standard	Size	Peak Pressure [psi (bar)]	Max Tightening Torque [lb-ft (Nm)]
B	Pressure port (standard pressure range) Threading in bolt holes	SAE J518 ISO 68	1 1/4 in 1/2-13 UNC-2B; 0.75 (24) deep	5100 (350)	66 (90)
S	Inlet (standard pressure range) Threading in bolt holes	SAE J518 ISO 68	2 1/2 in 1/2-13 UNC-2B; 0.94 (24) deep	75 (5)	66 (90)
L, L <sub>1</sub>	Case drain (L <sub>1</sub> plugged)	ISO 11926	1 1/16-12 UNF-2B	30 (2)	265 (360)
X	Pilot pressure	ISO 11926	9/16-18 UNF-2B; 0.51 (13) deep	5100 (350)	59 (80)
X	Control pressure for DG control	DIN 3852	M14 x 1.5; 0.47 (12) deep	1740 (120)	59 (80)

1) Dependent on the installation position, port L or L<sub>1</sub> must be connected

O = Must be connected