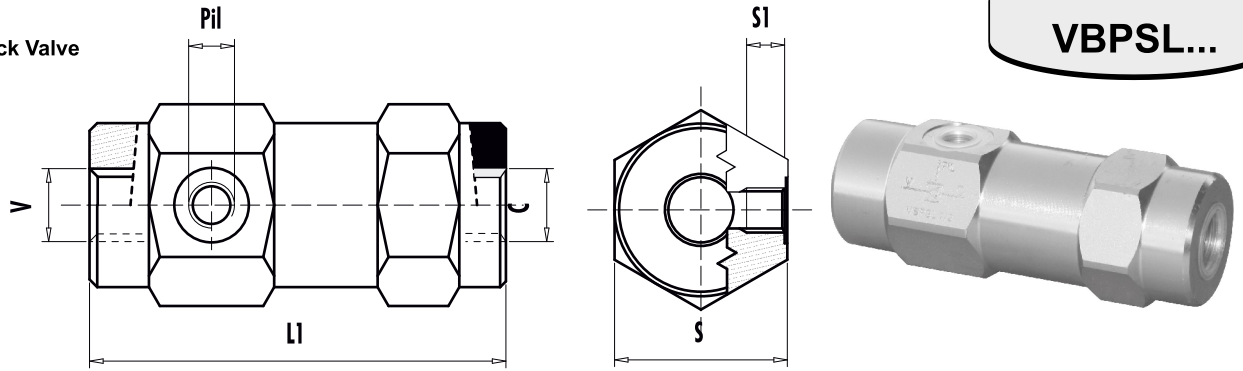


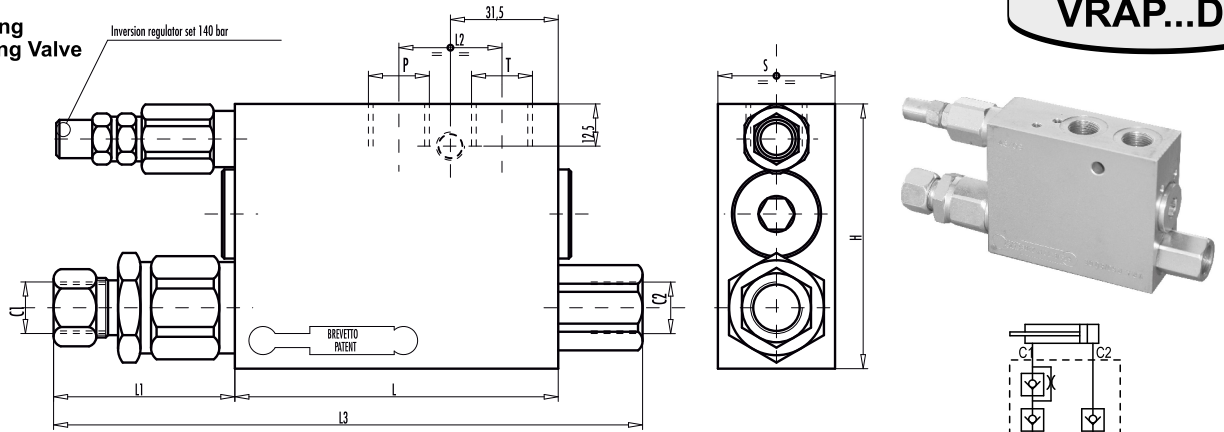
**Pilot Operated Check Valve**



**VBPSL...**

Code Number	Type	Max. Flow	Max. Pressure	L1	S	S1	Pil.
		Lt./min	Bar	mm	mm	mm	GAS
V0201	VBPSL 1/4	15	350	103	36	11	G 1/4"
V0202	VBPSL 3/8	30	300	109	40	11,5	G 1/4"
V0203	VBPSL 1/2	45	300	120	42	11	G 1/4"
V0204	VBPSL 3/4	80	250	131	55	14	G 1/4"

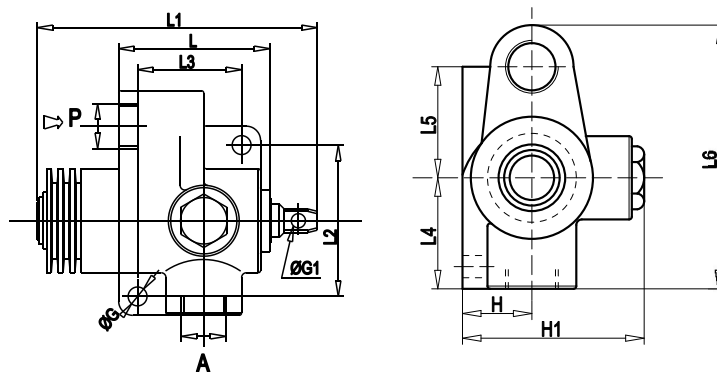
**Double Acting Plough Overturning Valve**



**VRAP...DE**

Code Number	Type	Max. Pressure	Max Exchange Pressure	C1	L	L1	L2	L3	H	S
		Bar	Bar	mm	mm	mm	mm	mm	mm	mm
V0290	VRAP 60/80 DE	400	250	Ø12	94	58	30	176	80	35

**End Stroke Valve Normally Opened**



**V-FCR 1T....**

Code Number	Type	Max. Flow	Max. Pressure	L	L1	L2	L3	L4	L5	L6	ØG	ØG1	H	H1
		Lt./min	Bar	mm	mm	mm	mm	mm	mm	mm	mm	mm	mm	mm
V0824	V-FCR 1T 60	60	350	69	130	66	45	45	41	103	8,5	6,5	26	68
V0826	V-FCR 1T 80	80	350	69	130	66	45	45	41	103	8,5	6,5	26	68
V0825	V-FCR 1T 120	120	350	88	173	50	56	46	23,5	92	8,5	13	27,5	50

