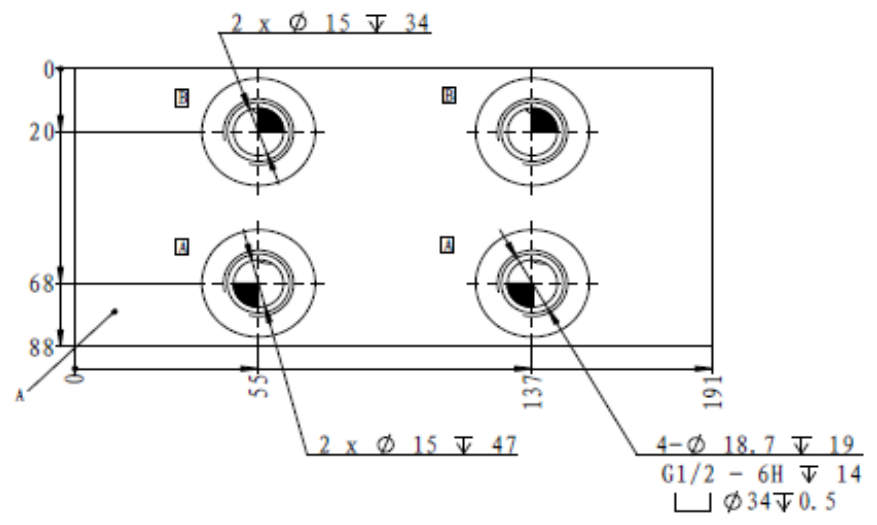
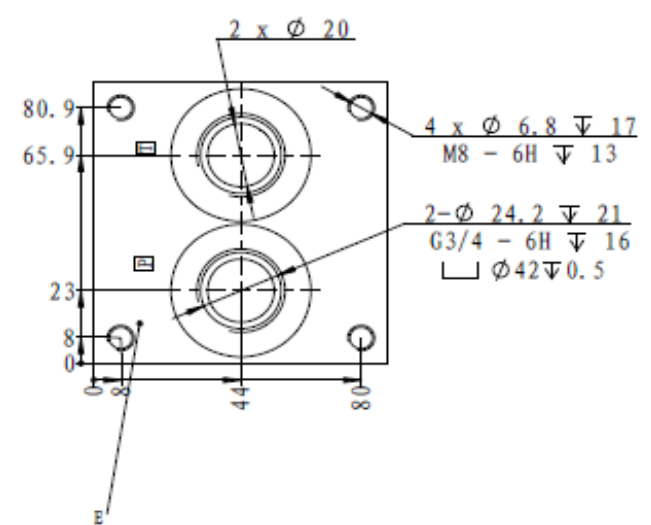
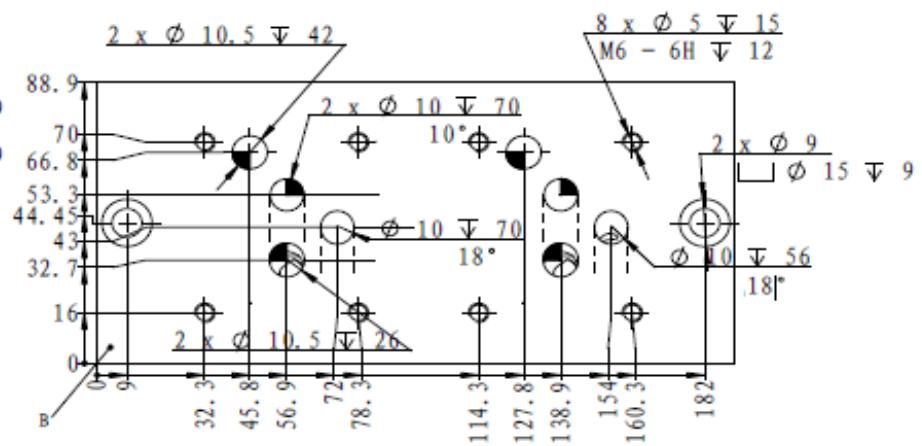
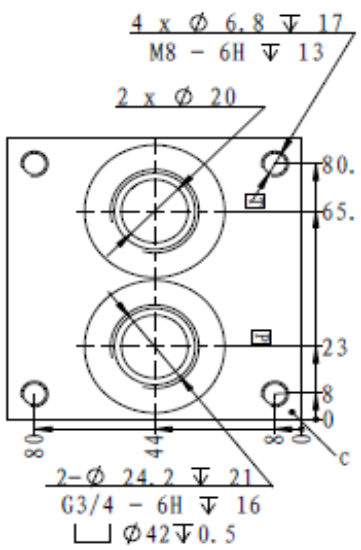
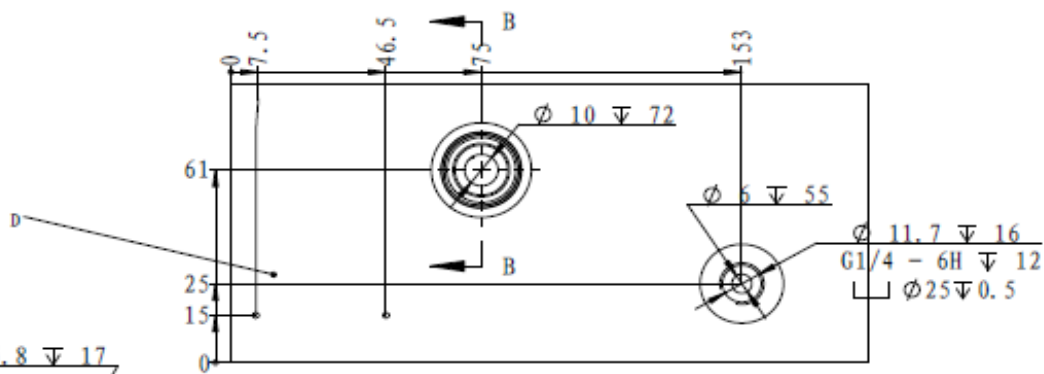
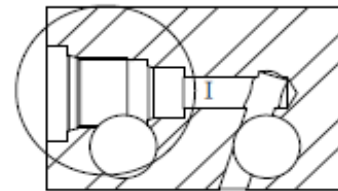


B-B



| Ref.            | Longitud<br>Length<br>Longueur | Anchura<br>Width<br>Largeur | Altura<br>Height<br>Hauteur |
|-----------------|--------------------------------|-----------------------------|-----------------------------|
| PFNG102SLCL180H | 191.00                         | 88.90                       | 88.00                       |
| PFNG103SLCL180H | 273.00                         | 88.90                       | 88.00                       |
| PFNG104SLCL180H | 355.00                         | 88.90                       | 88.00                       |