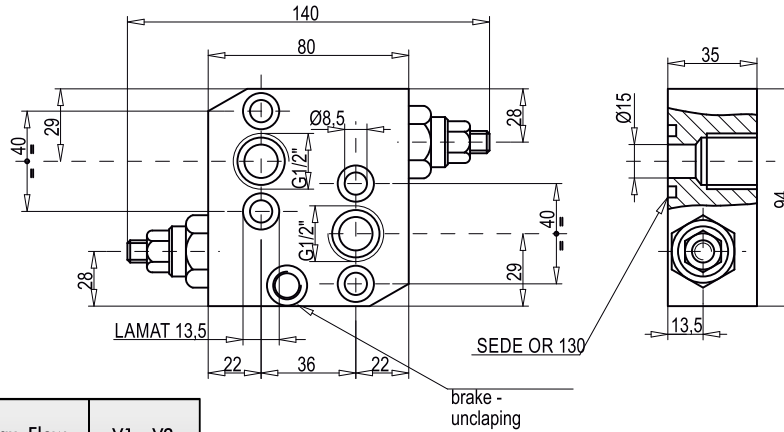
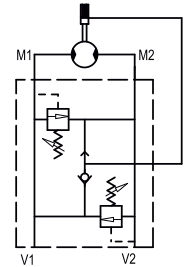


**Dual Cross Relief Valves  
Flangeable on MP/MR  
Hydraulic Motors**

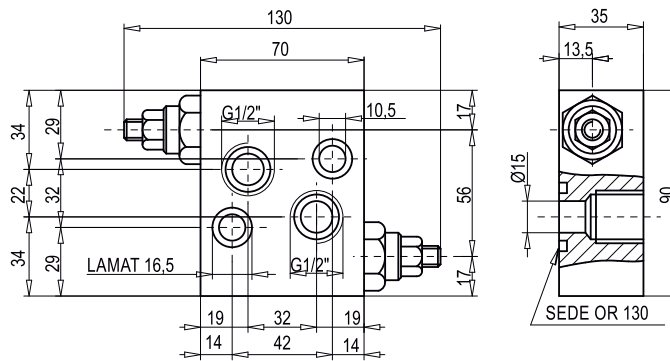


**VAU  
OMP/OMR**

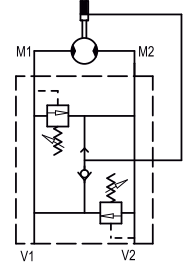


Code Number	Type	Max. Flow	V1 - V2
		Lt./min	
V0500	VAU 1/2" OMP/OMR	60	G 1/2 "

**Dual Cross Relief Valves Flangeable on MS Hydraulic Motors**



**VAU OMS**



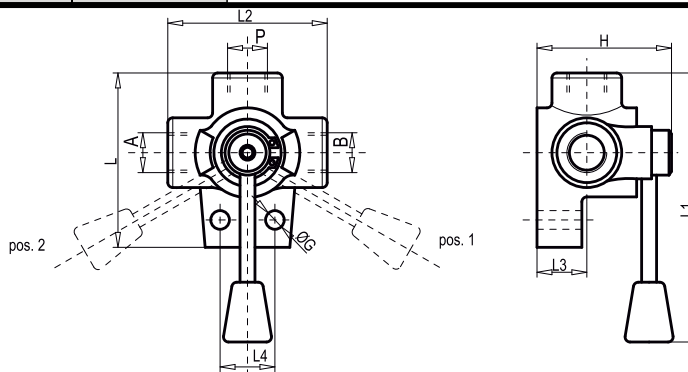
Code Number	Type	Max. Flow	V1 - V2
		Lt./min	
V0490	VAU 1/2" OMS	50	G 1/2 "

**SPRINGS**

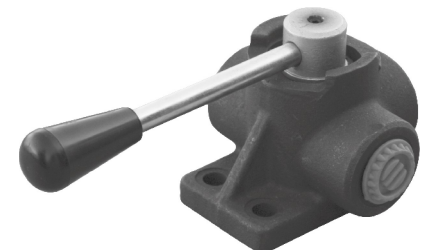
Setting Range	Pressure Increase	Standard Setting
bar	Q = 4 L/min	Lt./min
10-50	7	30
*20-200	12	75
10-180 Standard	30	90
50-250	45	130
80-300	50	150

\* For setting less than 70 bar: Q = 12 L/min

**3-Ways Diverter Valve**



**DF 3 VIE...**



Code Number	Type	Max. Flow	Max. Pressure	L	L1	L2	L3	L4	G	H
		Lt./min	Bar	mm	mm	mm	mm	mm	mm	mm
P 303 3/8	DF 3 VIE 3/8	40	210	76	140	68	25	26	8,5	67
P 303 1/2	DF 3 VIE 1/2	60	210	87	145	80	28	32	8,5	70
P 303 3/4	DF 3 VIE 3/4	80	210	103	150	94	30	32	11	78

