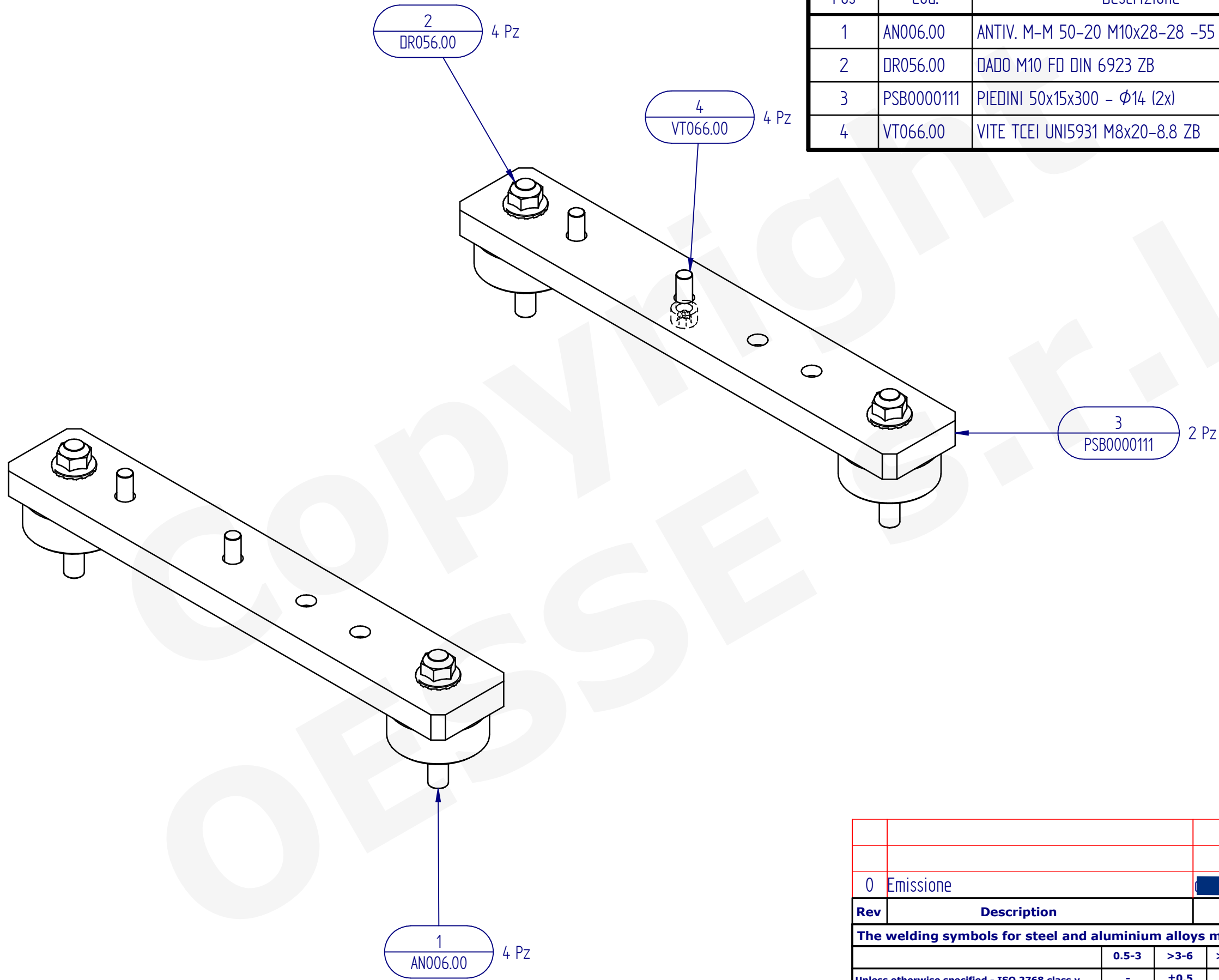


In case of heat exchanger drawing: Category ACC to the european directive 2014/68/EU tested and certificated ACC. to sound engineer practice.

This document is our property and shall not be altered, copied, used for manufacturing or communicated to any other person or company without our permission

Pos	Cod.	Descrizione	Qty.	Colore
1	AN006.00	ANTIV. M-M 50-20 M10x28-28 -55 Sh	4	\\
2	DR056.00	DADO M10 FD DIN 6923 ZB	4	-
3	PSB0000111	PIEDINI 50x15x300 - ϕ 14 (2x)	2	GRIGIO RAL 7021
4	VT066.00	VITE TCEI UNI5931 M8x20-8.8 ZB	4	\\



0	Emissione					03/10/2019				
Rev	Description	Made	Verified	Approved	Date					
The welding symbols for steel and aluminium alloys meet the requirements of standard UNI EN ISO 2553										
		0.5-3	>3-6	>6-30	>30-120	>120-400	>400-1000	>1000-2000	>2000-4000	Angle
Unless otherwise specified - ISO 2768 class v		-	±0.5	±1	±1.5	±2.5	±4	±6	±8	±3°
		Project N°: \\		Surface treatment : See table			Weight: 1.642 kg	Scale: 1:2		
		Description: KIT PIASTRE 215-225					Page: 1 / 1			
		Customer code: \\			Code KTB0000550					

Additional Notes: HY19

MDQ-019 Rev.00