

Code:

9RD NN CC

| | |
|-----|-----------------------|
| 9RD | Flow Divider Typology |
| NN | Number of elements |
| CC | Displacement Code |

Example: Flow divider with two elements (same displacement):
RV-0D / 0,57 x 2

9RD 02 05

Example: Flow Divider with 4 elements (with different displacement - max 7):
RV-0D / 0,57+0,76+0,98+1,52

9RD 04 05 06 07 11

NOTE: to define codes for flow dividers with more than 7 different displacement, please contact our sales department.

Table: 1

| Displacem. Cm ³ /rev | CC Code | Max Pressure bar | One element flow rate l/min | | |
|------------------------------------|------------|------------------------|--------------------------------|-------------|------|
| | | | MIN | RECOMMENDED | MAX |
| 0,17 | 01 | 210 | 0,2 | 0,4 | 1,2 |
| 0,25 | 02 | 210 | 0,3 | 0,7 | 1,8 |
| 0,45 | 04 | 210 | 0,6 | 1,2 | 3 |
| 0,57 | 05 | 210 | 0,8 | 1,5 | 3,8 |
| 0,76 | 06 | 210 | 1 | 2 | 4,8 |
| 0,98 | 07 | 210 | 1,2 | 2,3 | 5,6 |
| 1,27 | 09 | 210 | 1,5 | 3 | 7,2 |
| 1,52 | 11 | 210 | 1,9 | 3,5 | 8 |
| 2,30 | 13 | 210 | 2,6 | 5 | 10,3 |

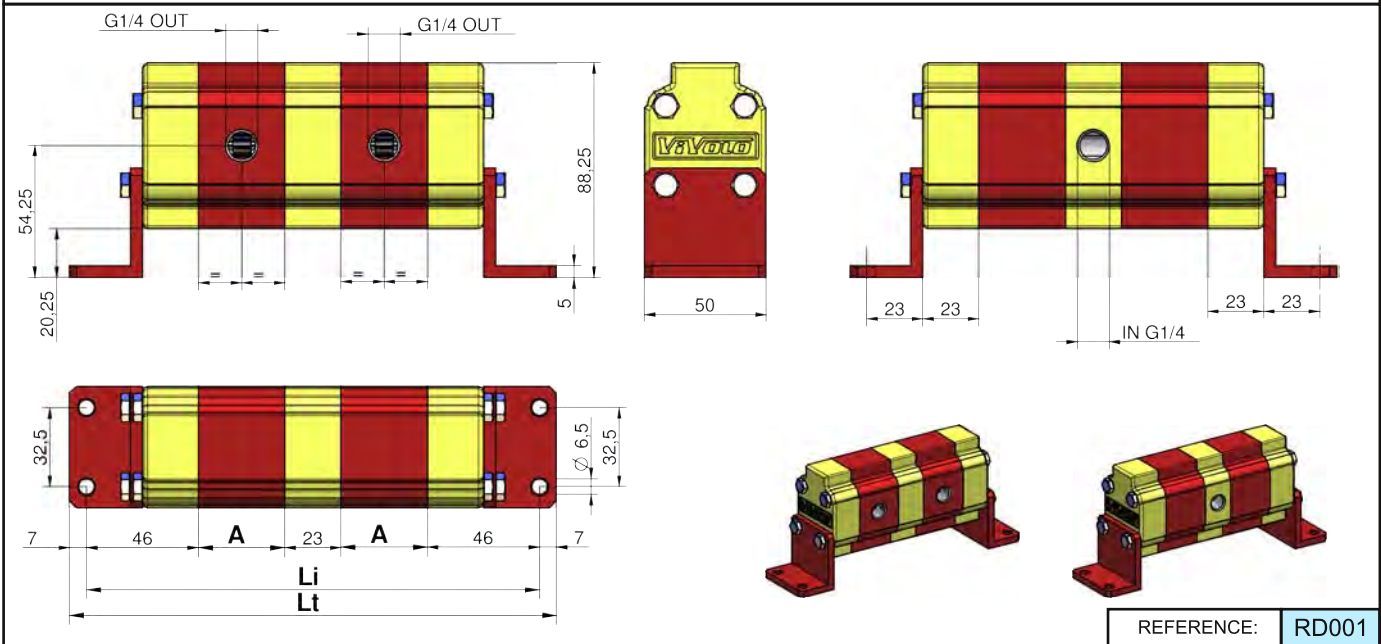


Table: 2

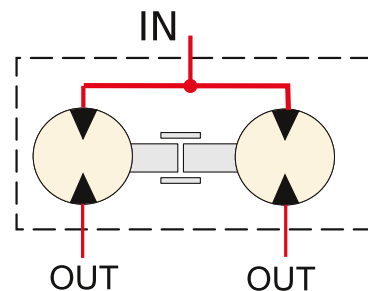
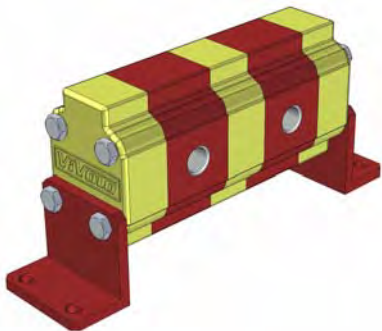
Li = Distance between fixing hole centres (single displacement flow divider)

| Cm ³ /giro | A | Number of elements | | | | | | | | | | | | | | |
|-----------------------|------|--------------------|-------|-------|-------|-------|-------|-------|-------|-----|-------|-------|-------|-------|-------|-------|
| | | 2 | 3 | 4 | 5 | 6 | 7 | 8 | 9 | 10 | 11 | 12 | 13 | 14 | 15 | 16 |
| 0,17 | 29,3 | 173,6 | 225,9 | 278,2 | 330,5 | 382,8 | 435,1 | 487,4 | 539,7 | 592 | 644,3 | 696,6 | 748,9 | 801,2 | 853,5 | 905,8 |
| 0,25 | 29,9 | 174,8 | 227,7 | 280,6 | 333,5 | 386,4 | 439,3 | 492,5 | 545,1 | 598 | 650,9 | 703,8 | 756,7 | 809,6 | 862,5 | 915,4 |
| 0,45 | 31,5 | 178 | 232,5 | 287 | 341,5 | 396 | 450,5 | 505 | 559,5 | 614 | 668,5 | 723 | 777,5 | 832 | 886,5 | 941 |
| 0,57 | 32,5 | 180 | 235,5 | 291 | 346,5 | 402 | 457,5 | 513 | 568,5 | 624 | 679,5 | 735 | 790,5 | 846 | 901,5 | 957 |
| 0,76 | 34 | 183 | 240 | 297 | 354 | 411 | 468 | 525 | 582 | 639 | 696 | 753 | 810 | 867 | 924 | 981 |
| 0,98 | 35,5 | 186 | 244,5 | 303 | 361,5 | 420 | 478,5 | 537 | 595,5 | 654 | 712,5 | 771 | 829,5 | 888 | 946,5 | 1005 |
| 1,27 | 38 | 191 | 252 | 313 | 374 | 435 | 496 | 557 | 618 | 679 | 740 | 801 | 862 | 923 | 984 | 1045 |
| 1,52 | 40 | 195 | 258 | 321 | 384 | 447 | 510 | 573 | 636 | 699 | 762 | 825 | 888 | 951 | 1014 | 1077 |
| 2,30 | 46 | 207 | 276 | 345 | 414 | 483 | 552 | 621 | 690 | 759 | 828 | 897 | 966 | 1035 | 1104 | 1173 |

Table: 3 in this table the number of inlets in function of the number of elements are indicated.

| Number of elements | 2 | 3 | 4 | 5 | 6 | 7 | 8 | 9 | 10 | 11 | 12 | 13 | 14 | 15 | 16 |
|-----------------------|---|---|---|---|---|---|---|---|----|----|----|----|----|----|----|
| "IN" Number of inlets | 1 | 1 | 2 | 2 | 3 | 3 | 4 | 4 | 5 | 5 | 6 | 6 | 7 | 7 | 8 |

INTERNAL DRAIN



In **table 1** the functioning range of single flow divider elements is indicated.

The higher is the feeding capacity (q), the higher is the precision of flow division, but in opposition there are losses of loading and higher noise. Therefore we suggest to feed the elements with capacities equal or a few superior to the ones indicated in the column "**RECOMMENDED**".

Remember to verify the capacities even in phase of flow reunion.

The pressures indicated are to be considered as maximum of functioning, the flow divider is able to bear peaks of pressure 20% superior.

How to calculate the "Li" and "Lt" measures of flow dividers:

From **table 2** it is possible to obtain the "Li" measure for flow dividers up to 16 elements with equal displacements; for flow dividers with different elements or with more than 16 elements the "Li" and "Lt" measure have to be calculated by the following formula:

$$Li = [(n-1) \times 23] + 92 + (A1 + A2 + A3 + \dots)$$

$$92 = 46 + 46$$

n = Number of elements of flow divider

A1... An = heights of elements of flow divider

$$Lt = Li + 14$$

$$14 = 7 + 7$$

EXAMPLE: To obtain the measures **Li** and **Lt** of a flow divider with three elements (n=3), **RV-0D 0,98 + 0,76 + 1,27**

Distance between fixing hole centres **Li** = [(3-1) x 23] + 92 + 35,5 + 34 + 38 = 245,5 mm

Total Length **Lt** = 245,5 + 14 = 259,5

In **table 3** the number of inlets in fuction of the number of elements are indicated.

For flow dividers with many inlets, as they are all communicating it is even possible to use only one of them, by plugging the other ones. We suggest to make full us at least of **1** inlet every **15** l/min capacity.

To obtain errors of division **inferior to 3%** there must be no difference of pressure between the elements superior to **30 bar**. To obtain high precisions the respect of the following parametres is also important:

- Enviroment temperature: -10°C ÷ +60°C Oil temperature: +30°C ÷ +60°C
- Hydraulic oil based on hlp, hv (din 51524) minerals Oil Viscosity 20 ÷ 40 cSt
- Oil filtering 10 ÷ 25 µ