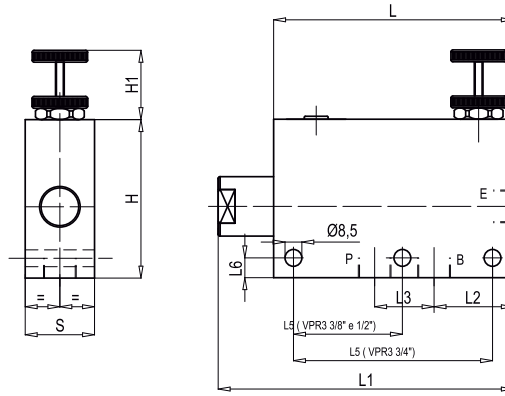
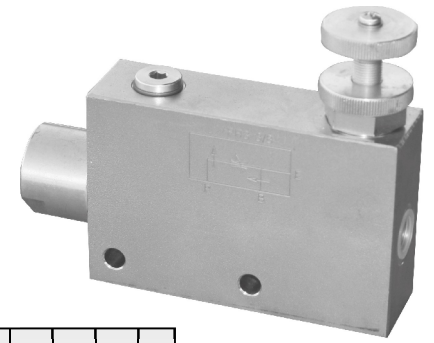


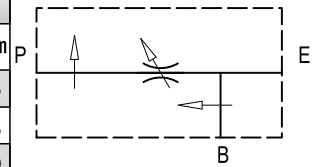
**Three Port Flow Control Valve Ongoing Pressure Line**



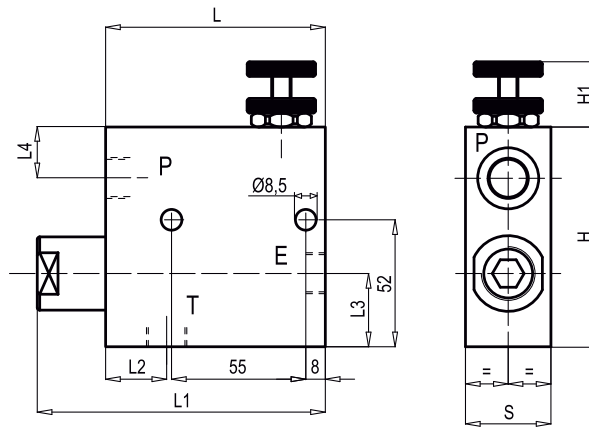
**VPR 3...**



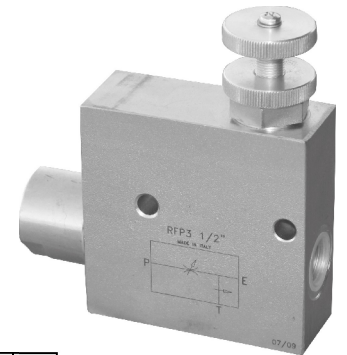
Code Number	Type	Max. Inlet Flow	Max. Adjustable Flow	Max. Pressure	L	L1	L2	L3	L4	L5	L6	H	H1	S
		Lt./min	Lt./min	Bar	mm	mm	mm	mm	mm	mm	mm	mm	mm	mm
V1060	VPR 3 3/8	50	40	250	121	147	40	32	36	55	12	80	35	35
V1070	VPR 3 1/2	85	60	250	121	147	37	36	36	55	12	80	35	35
V1080	VPR 3 3/4	150	90	210	155	190	67	44	45	135	8	90	35	50



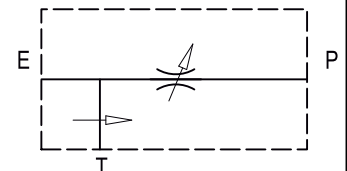
**Three Port Flow Control Valve Excess To Tank**



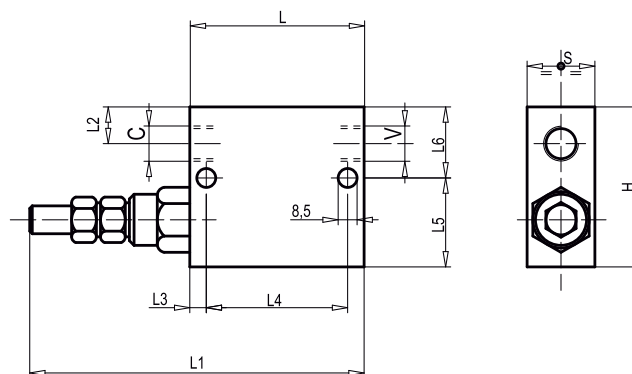
**RFP 3...**



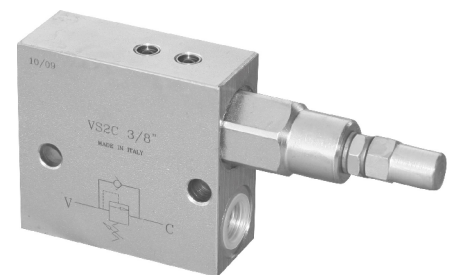
Code Number	Type	Max. Inlet Flow	Max. Adjustable Flow	Max. Pressure	L	L1	L2	L3	L4	H	H1	S
		Lt./min	Lt./min	Bar	mm	mm	mm	mm	mm	mm	mm	mm
V1110	RFP3 3/8	50	30	250	90	116	25	32	20	90	35	35
V1120	RFP 3 1/2	85	50	250	90	116	25	32	20	90	35	35



**Direct Acting Sequence Valve**



**VS2C...**



Code Number	Type	Max. Inlet Flow	Max. Pressure	L	L1	L2	L3	L4	L5	L6	H	S
		Lt./min	Bar	mm	mm	mm	mm	mm	mm	mm	mm	mm
V0640	VS2C 3/8	35	350	74	146	14	7	55	39	31	70	30
V0660	VS2C 1/2	70	350	80	152	15	7	55	37	33	70	30
V0665	VS2C 3/4	110	310	100	164	20	10	80	50	50	100	40

