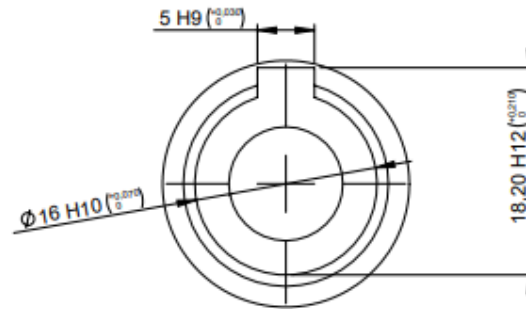
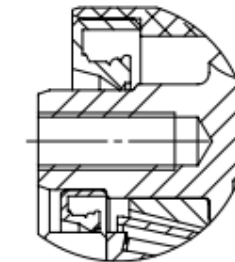


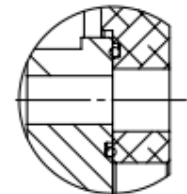
DETAIL A (Zero Position)
SCALE 1 : 1



Input Shaft Detail B
SCALE 2 : 1



Lip Seal DETAIL C
SCALE 1 : 1



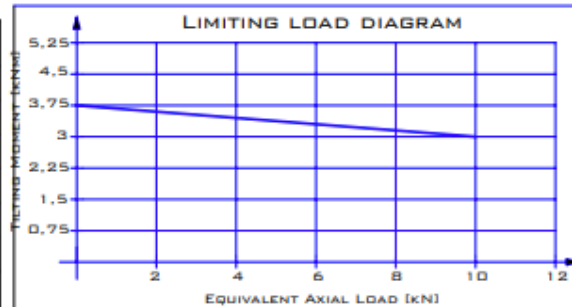
O-Ring DETAIL D
SCALE 1 : 1

Note: This slewing drive is only able to turn 180° due to the mechanical stop (90° to each side)
Minimum input torque 4Nm

MAIN PERFORMANCE PARAMETERS

GEAR RATIO	54:1	HOLDING TORQUE	3 kNm
EFFICIENCY	30%	TILTING MOMENT	3,6 kNm
SELF-LOCKING GEAR	YES	RADIAL STATIC LOAD	18,1 kN
BACKLASH CLEARANCE	<0,13°	AXIAL STATIC LOAD	10,2 kN
MAXIMUM TORQUE	635 Nm	RADIAL DYNAMIC LOAD	18,1 kN
NOMINAL TORQUE	245 Nm	AXIAL DYNAMIC LOAD	9,1 kN

NOTES: ALL SLEW DRIVE ARE PRE-LUBRICATED. MAXIMUM OUTPUT SPEED 1 RPM.
STANDARD PAINT: FOR CORROSION CATEGORY PT3 - BLACK RAL 9005



I	Add protector grease nipple	24/02/22	JM	T.D.	>1200	±1.2	
H	BOM update	15/09/21	M.H	T.D.	>400.0 - 1200	±0.8	
G	BOM update	18/08/21	G.P	T.D.	>120.0 - 400.0	±0.5	
F	BOM update	12/04/21	F.C	T.D.	>30.0 - 120.0	±0.3	
E	Design update	29/08/20	G.P	T.D.	>6.0 - 30.0	±0.2	
D.2	Design update	15/11/19	G.P	T.D.	>3.0 - 6.0	±0.1	
...	>0.3 - 3.0	±0.1	
A	First Design	15/05/17	A.C	T.D.	Reference	Unstated tolerance	
REV.	DESCRIPTION	DATE	NAME	CHECK	LBE100-Z1-RM		
							Rev
The information contained in this document is property of TGBgroup. It is not allowable any copy or reproduction of this certificated copy with the original not under control. TGBgroup reserve change of manufacture without previous advice and duty of communication.					Units: mm		
					Denomination: Sales Drawing		
					MATERIAL: -	WEIGHT [kg]: 5.51	NUM. PIECES: 1
					SCALE: 1:2	SIZE: A3	SHEET: 1 of 1