

UNLESS OTHERWISE SPECIFIED: DIMENSIONS ARE IN MILLIMETERS BREAK SHARP EDGES: 0.1 TO 0.25 mm TOLERANCES: ISO 2768 - mK		FINISH: --
GENERAL ROUGHNESS: 6.4		MAT: --
AMERICAN PROJECTION		DATE
NAME	SIGNATURE	DATE
DRAWN		vrijdag 9 juni 2017 16:38:46
CHK'D		
SCALE: 1:50	SHEET 1 OF 2	

Pierik Techniek



Wethouder Beversstraat 189
7543 BK Enschede
Tel.: 053 7113860
Fax: 053 847372673

email: info@pieriktechniek.nl
homepage: www.pieriktechniek.nl

DWG NO: TITLE:
HOST 161208 - Globale maten Deksel

1

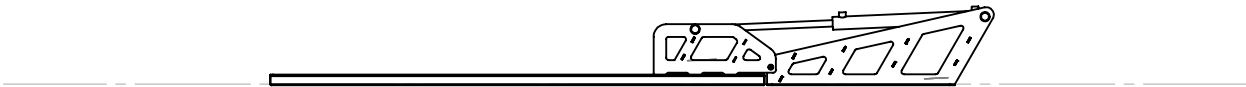
2

3

4

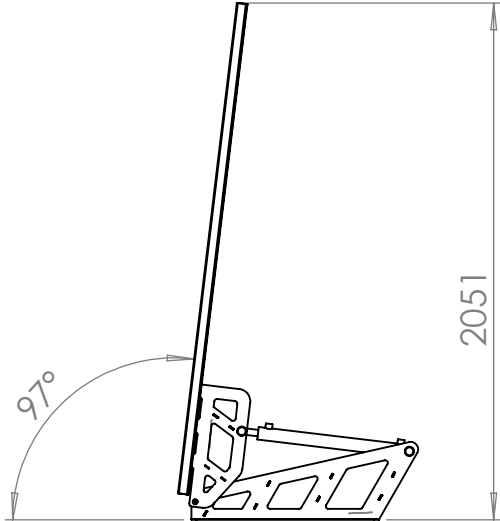
A

A



B

B

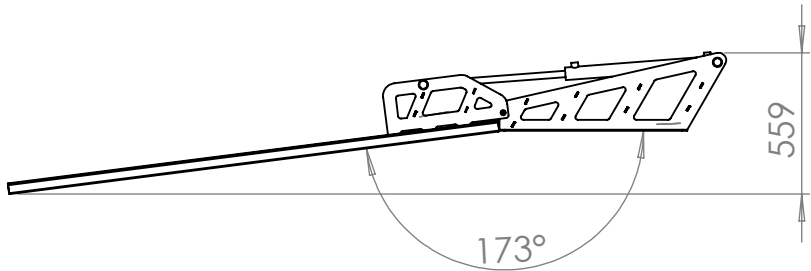


C

C

D

D



E

E

F

UNLESS OTHERWISE SPECIFIED: DIMENSIONS ARE IN MILLIMETERS BREAK SHARP EDGES: 0,1 TO 0,25 mm TOLERANCES: ISO 2768 - mK		FINISH: --	
GENERAL ROUGHNESS: 6.4		MAT.: --	
AMERICAN PROJECTION			
DRAWN	NAME	SIGNATURE	DATE
CHK'D			vrijdag 9 juni 2017 16:38:46
SCALE: 1:30		SHEET 2 OF 2	

Pierik Techniek

Wethouder Beversstraat 189
7543 BK Enschede
Tel.: 053 7113860
Fax: 053 847372673



email: info@pieriktechniek.nl
homepage: www.pieriktechniek.nl

DWG NO: TITLE:
HOST 161208 - Globale maten Deksel

LAST SAVED DATE: 9-6-2017 MASS:143.43 kg. SHEET:A4
The contents of this drawing is the property of Pierik Techniek B.V. and may not be copied, reproduced, disclosed to a third party or used for engineering, design, manufacture in whole or in part without written content ®