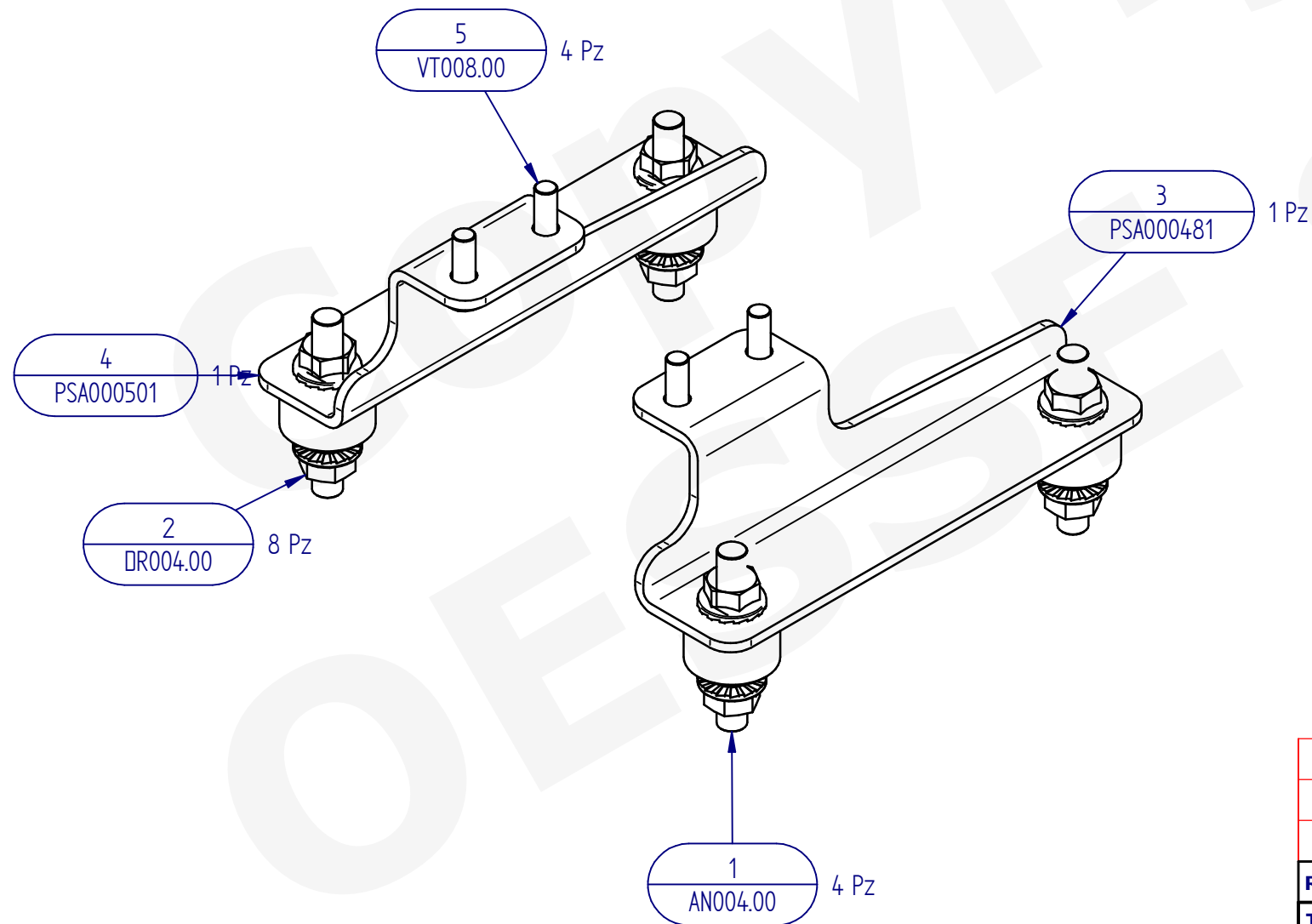


Pos	Cod.	Descrizione	Qty.	Colore
1	AN004.00	ANTIV. M-M 25-15 M8x20-20 -55 Sh	4	\\
2	DR004.00	DADO M8 FD DIN 6923 ZB	8	-
3	PSA0004811	STAFFA SUPPORTO DX Sp 3	1	BLU RAL 5002
4	PSA0005011	STAFFA SUPPORTO SX Sp 3m	1	BLU RAL 5002
5	VT008.00	VITE TEFD DIN6921 M6x16-8.8 ZB	4	



0	Emissione					03/10/2019				
Rev	Description	Made	Verified	Approved	Date					
The welding symbols for steel and aluminium alloys meet the requirements of standard UNI EN ISO 2553										
		0.5-3	>3-6	>6-30	>30-120	>120-400	>400-1000	>1000-2000	>2000-4000	Angle
Unless otherwise specified - ISO 2768 class v		-	±0.5	±1	±1.5	±2.5	±4	±6	±8	±3°
		Project N°: \\		Surface treatment : See table			Weight: 0.951 kg	Scale: 1:1.67		
		Description: KIT PIASTRE 010-057					Page: 1 / 1			
		Customer code: \\			Code KTB0000530					