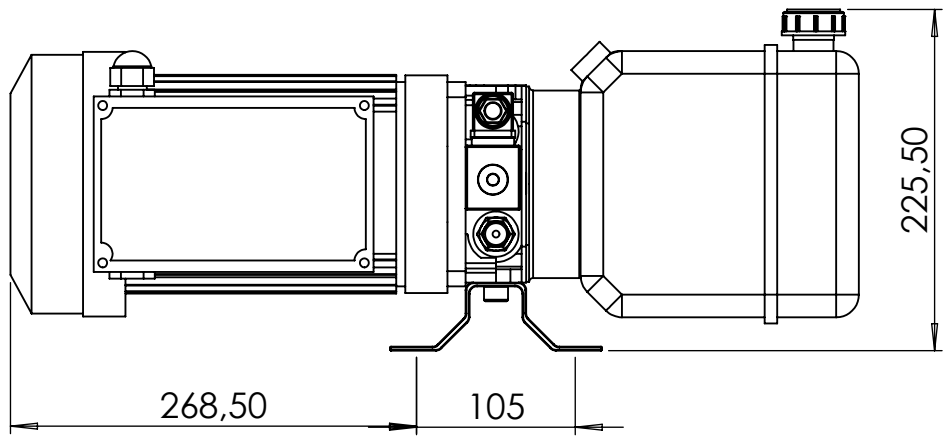
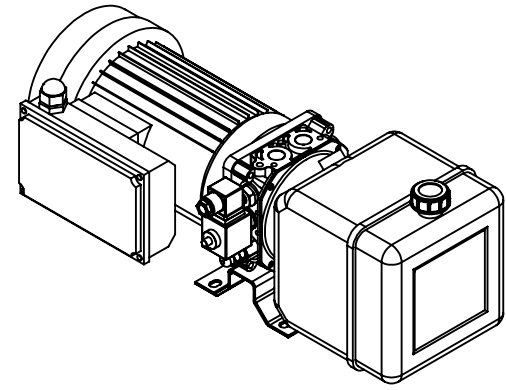


A



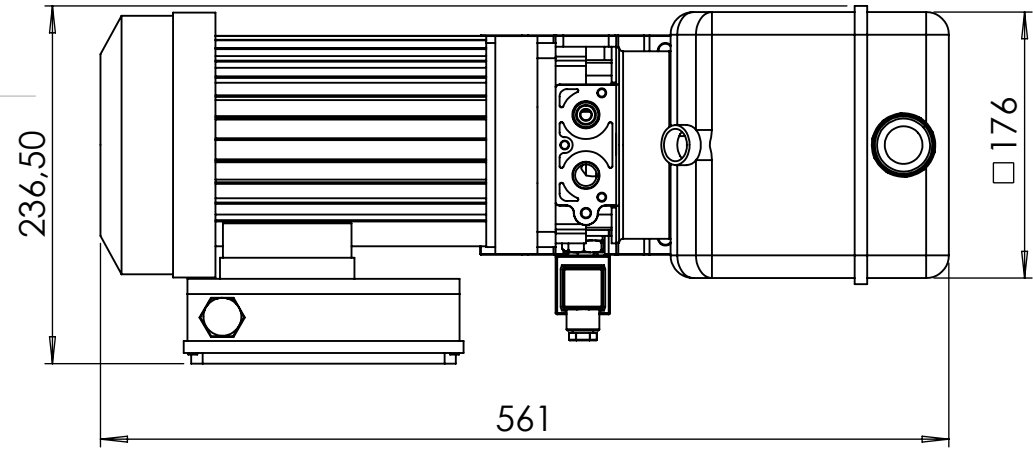
B



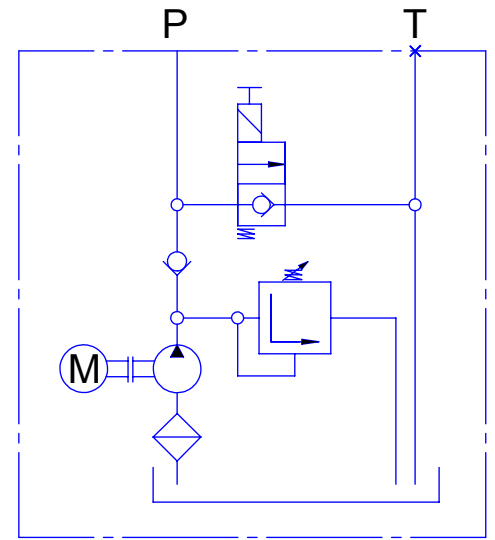
A

Hydraulic Circuit
P, T = G 3/8

C



B



C

ELECTRIC MOTOR

PUMP & OIL TANK

MAX. PRESSURE

Power: 1.5 kW

Pump displacement: 2.7 cc/rev

P: 210 bar

Voltage: 220 V AC

Tank Capacity: 4 liter plastic, horizontal

- Poppet valve is without coil
- Popet valfi bobinsiz takiniz.

D

Notes:

DESIGNED BY	NAME	SIGNATURE	DATE	MATERIAL:

DESCRIPTION	A4
MINI POWER PACK	