

HYDRAULIC CONTROL VALVES - Z SERIES



CAST IRON (BODY) - EN-GJL300
PRECISE BORE HONING & SPOOL GRINDING (LESS LEAKAGE)
1 ► 7 LEVER CONTROL BANKS
NOMINAL FLOW RATE - 50 & 80 LPM
MAX PRESSURE - P = 250 BAR, T = 50 BAR, A / B = 300 BAR
12 & 24 VOLT VDC COILS WITH ISO4400 CONNECTOR
OPERATING TEMPERATURE (°C) : -40°C ► +60°C
SPOOL LEAKAGE - Z50 @ 100 BAR = 18CM³ & Z80 @ 120 BAR = 20-40 CM³ P/M
MOUNTING : M8 BOLTS OR A COMPLETE LINE OF STUDS

Z - 50 3 A ES3 A ES1 D ES2 CONTINUE CODE UP TO THE NUMBER OF BANKS REQUIRED **G 12 VDC**

TYPE	CODE
LEFT HAND (STANDARD)	-
RIGHT HAND	R

SELECTED VALVE TYPE	SELECTED BANKS
Z50 (50LPM - 1 ► 7 SPOOLS)	1
	2
	3
	4
	5
	6
	7
Z80 (80LPM - 1 ► 6 SPOOLS)	1
	2
	3
	4
	5
	6

SPPOOL TYPES	CODE
	A (STANDARD)
	D

CODE	SPPOOL CONTROL
ES1	SINGLE ACTING P ► A WITH SPRING RETURN IN NEUTRAL
ES2	SINGLE ACTING P ► B WITH SPRING RETURN IN NEUTRAL
ES3	DOUBLE ACTING P ► A (B) WITH SPRING RETURN IN NEUTRAL

CODE	COIL VOLTAGE (DC)
12	12 VOLT DC NOMINAL VOLTAGE (WITH CONNECTOR ISO4400)
24	24 VOLT DC NOMINAL VOLTAGE (WITH CONNECTOR ISO4400)

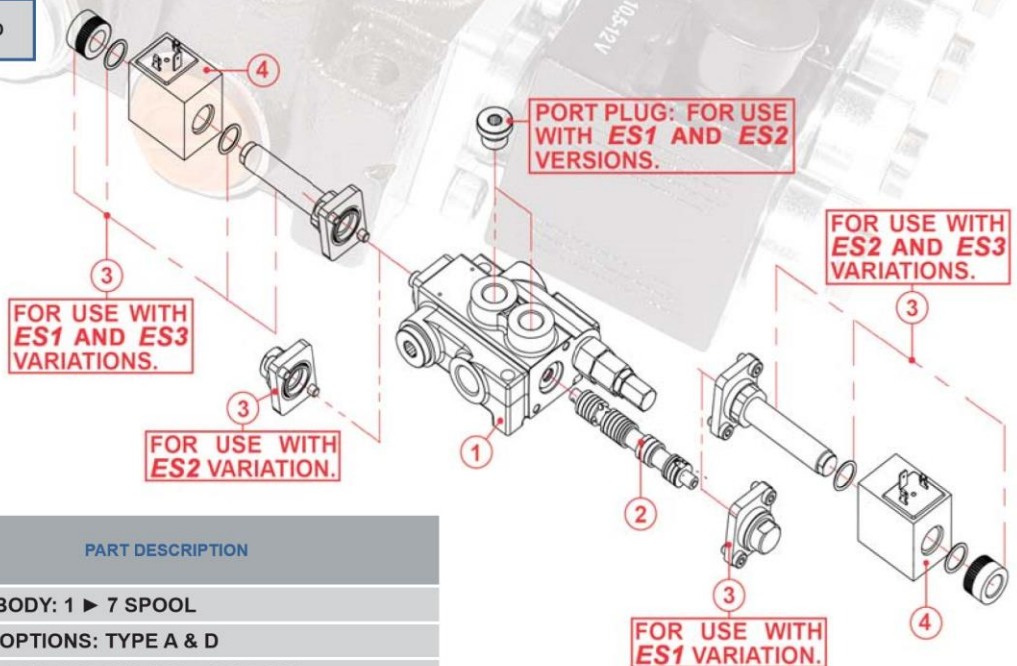
CODE	PORTS
G	BSP (STANDARD) (A&B = 3/8" ► P,T&N = 1/2")

FOLLOWING LEVERS & SPOOL
CONTINUE TO ENTER YOUR FOLLOWING SPOOL TYPES & SPOOL CONTROL CODES UP TO THE AMOUNT OF LEVERS YOU WISH TO ORDER.

PLEASE USE THE ABOVE GUIDE TO PRODUCE YOUR BESPOKE DIRECT SOLENOID CONTROL VALVE ORDER CODE. START FROM THE LEFT AND WORK YOUR WAY RIGHT USING THE TABLES TO CREATE YOUR CONTROL VALVE.

THE EXAMPLE SHOWN IS FOR A BASIC 'Z50' TYPE CONTROL VALVE, WITH 3 LEVER CONTROL (NUMBER OF SPOOLS). THIS HAS A STANDARD SPOOL TYPE 'A' AND ES3 DOUBLE ACTING CONTROL ON THE FIRST BANK, STANDARD SPOOL TYPE A AND ES1 SINGLE ACTING CONTROL ON THE SECOND, THEN 'MOTOR SPOOL' TYPE D WITH ES2 CONTROL ON THE THIRD. THE VALVE THEN HAS STANDARD PORTS (BSP) AND 12 VOLT TYPE SOLNOIDS.

THIS GIVES YOU "Z503AES3AES1DES2G12VDC" AS YOUR ORDER CODE.



ITEM NUMBER	PART DESCRIPTION
1	VALVE BODY: 1 ► 7 SPOOL
2	SPOOL OPTIONS: TYPE A & D
3	SPOOL CONTROL KIT: ES1, ES2 & ES3
4	COILS: 12 OR 24 VOLT DC