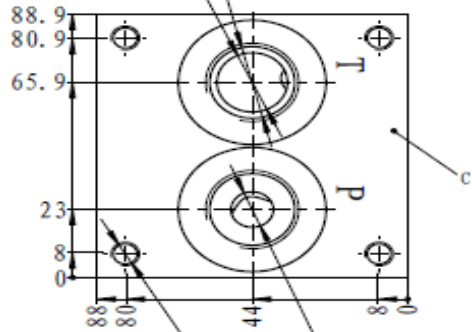


2- $\varnothing 24.2 \nabla 21$
G3/4 - 6H $\nabla 16$
 $\sqsubset \varnothing 42 \nabla 0.5$

$\varnothing 20 \nabla 50$



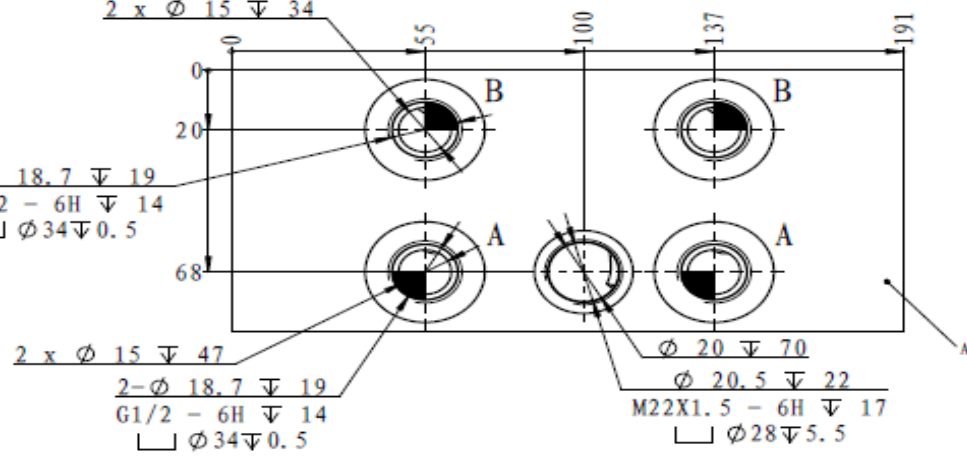
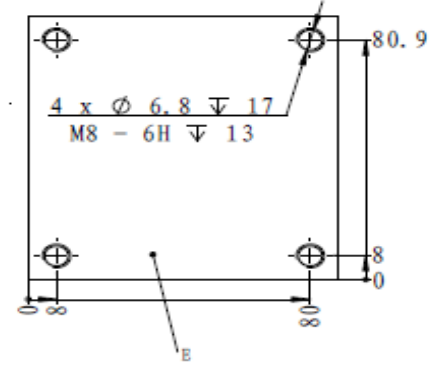
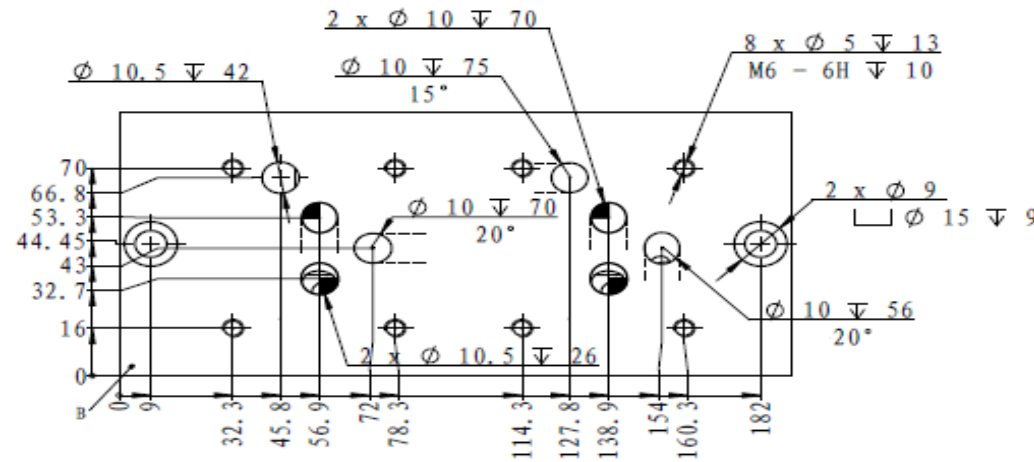
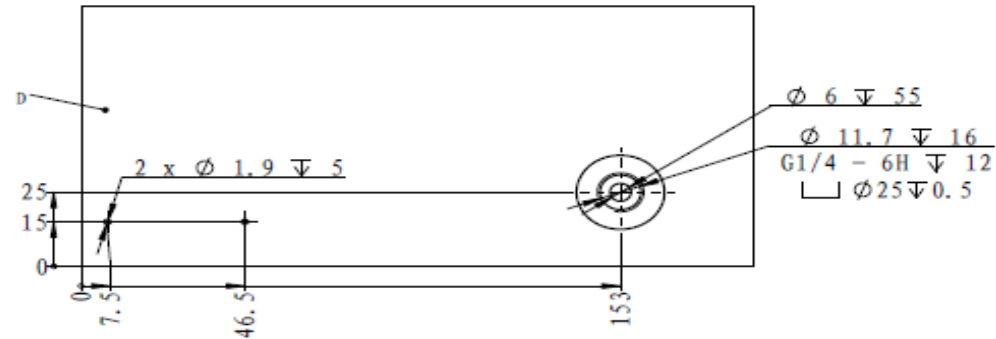
4 x $\varnothing 6.8 \nabla 17$
M8 - 6H $\nabla 13$

2- $\varnothing 18.7 \nabla 19$
G1/2 - 6H $\nabla 14$
 $\sqsubset \varnothing 34 \nabla 0.5$

2 x $\varnothing 15 \nabla 47$

2- $\varnothing 18.7 \nabla 19$
G1/2 - 6H $\nabla 14$
 $\sqsubset \varnothing 34 \nabla 0.5$

$\varnothing 20.5 \nabla 22$
M22X1.5 - 6H $\nabla 17$
 $\sqsubset \varnothing 28 \nabla 5.5$



| Ref. | Longitud Length Longueur | Anchura Width Largeur | Altura Height Hauteur |
|-------------|--------------------------------|-----------------------------|-----------------------------|
| PFNG102SL H | 191.00 | 88.90 | 88.00 |
| PFNG103SL H | 273.00 | 88.90 | 88.00 |
| PFNG104SL H | 355.00 | 88.90 | 88.00 |