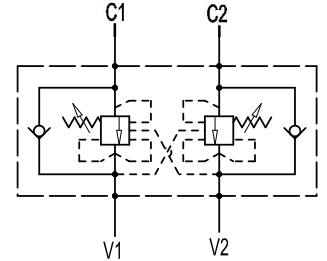
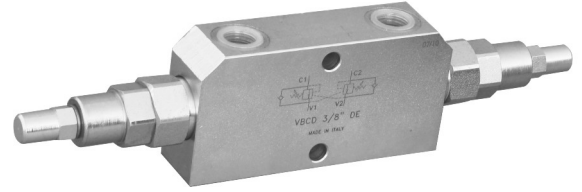
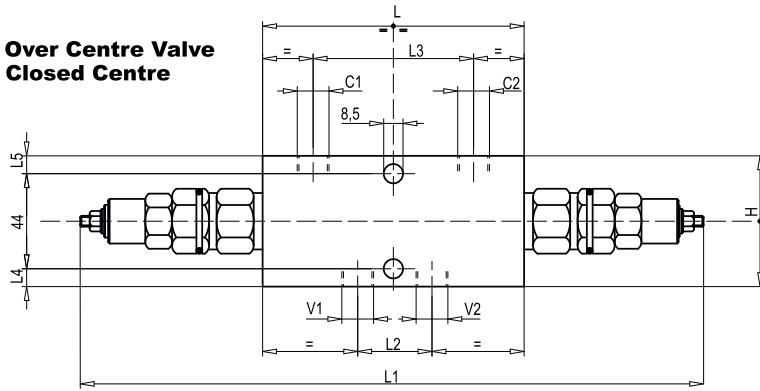


**Double Over Centre Valve  
For Closed Centre**

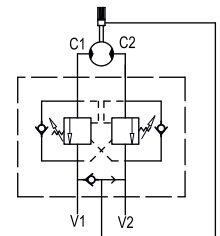
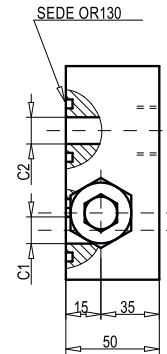
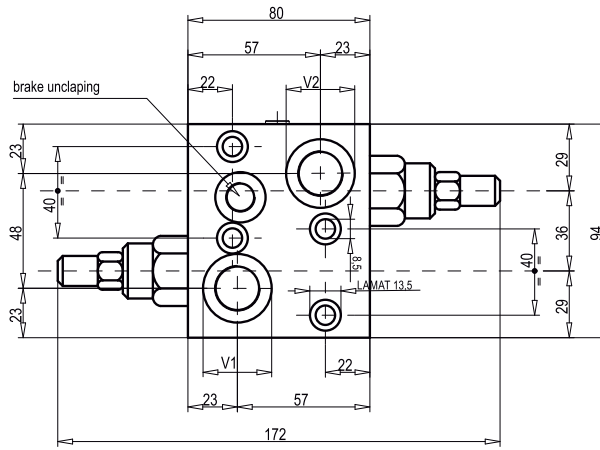
**VBCD...DE CC**



Code Number	Type	Max. Flow	Max. Pressure	Pilot Ratio	L	L1	L2	L3	L4	L5	H	S
		Lt./min	Bar		mm	mm	mm	mm	mm	mm	mm	mm
V0441	VBCD 1/4 DE CC	35	350	1:3,1	120	288	34	73	8	8	60	30
V0442	VBCD 3/8 DE CC	50	350	1:3,1	120	288	36	73	8	8	60	30
V0443	VBCD 1/2 DE CC	105	350	1:5,5	152	320	58	106	15	21	80	35

**Over Centre Valves  
Flangeable on MP/MR  
Hydraulic Motors**

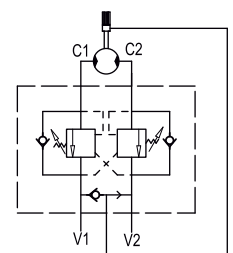
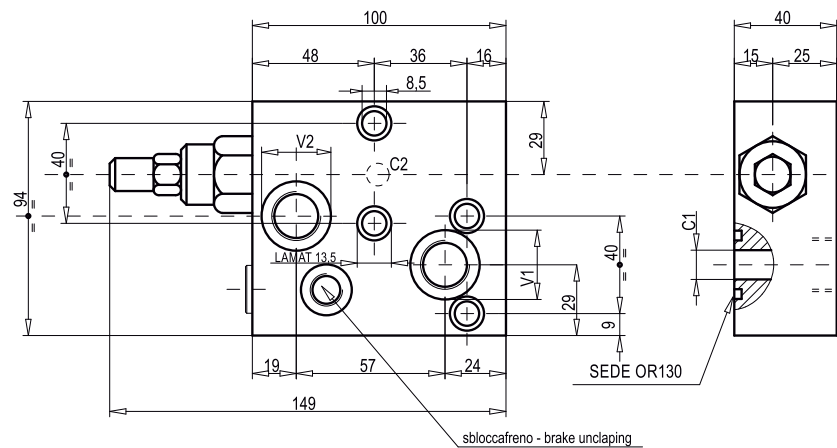
**VBCDF SE  
OMP / OMR**



Code Number	Type	Max. Flow	Max..Pressure	Pilot Ratio	V1 - V2	C1-C2 mm
		Lt./min	bar			
V0415	VBCDF 1/2 " SE OMP/OMR	50	350	1:4.5	G 1/2 "	9

**Over Centre Valves  
Flangeable on MP/MR  
Hydraulic Motors**

**VBCDF DE  
OMP / OMR**



Code Number	Type	Max. Flow	Max..Pressure	Pilot Ratio	V1 - V2	C1-C2 mm
		Lt./min	bar			
V0425	VBCDF 1/2 "DE OMP/OMR	50	350	1:4.5	G 1/2 "	9