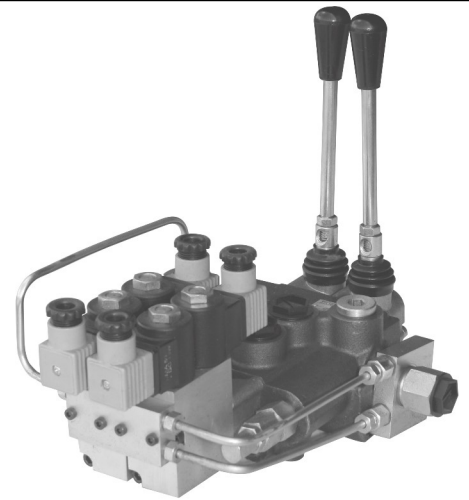
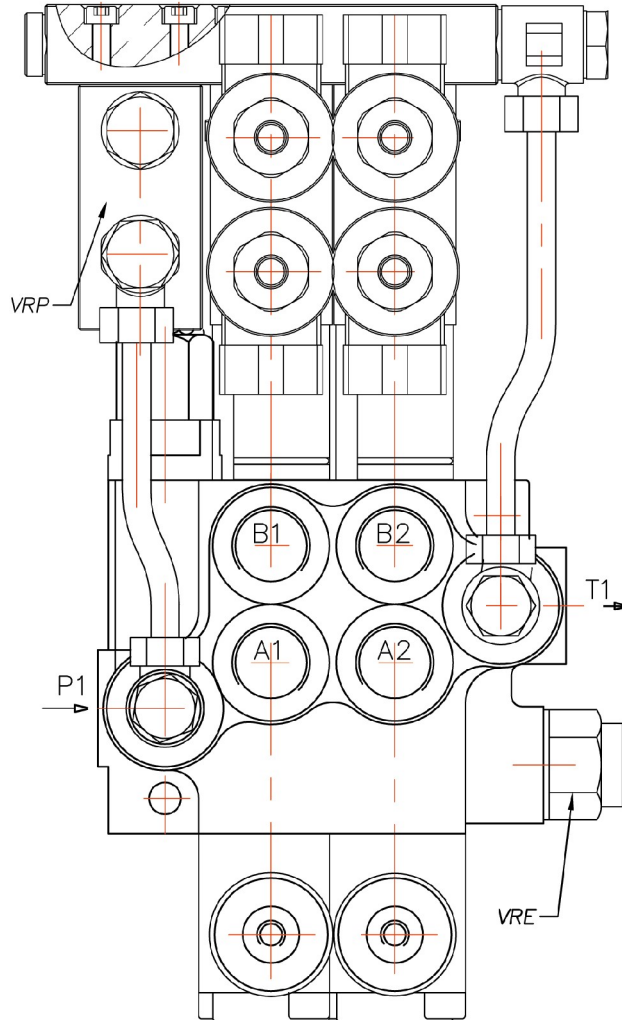


Directional control valve P80

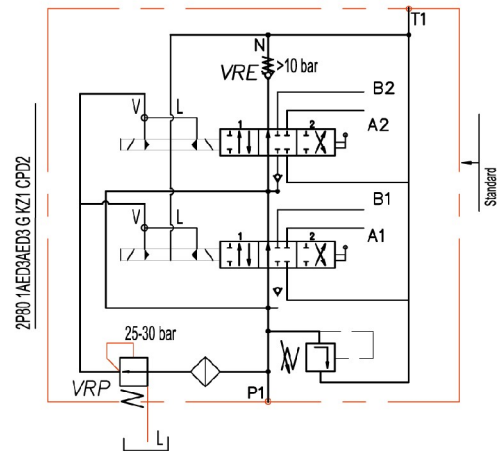
Ed3 - Electro - hydraulic control ON-OFF

Ordering codes

3-way solenoid valve-LSV2-08-3C-NNN
coil P80ED3-G-12VDC
coil P80ED3-G-24VDC



Operating pressure	min 10 bar(145 psi)
Max operating pressure in .L (T line)	max 50 bar(725 psi)
Solenoid operating features	25 bar(360 psi)
Nominal voltage tolerance	10% ±
Power rating	24W
Duty cycle	100 %



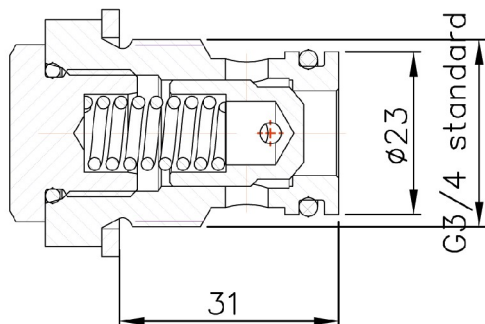
Ordering codes (BSP threads)

CED1P80	kit for 1 section
CED2P80	kit for 2 section
CED3P80	kit for 3 section
CED4P80	kit for 4 section

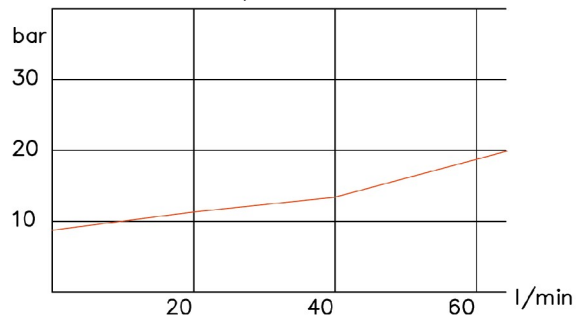
Ordering example

2P80-VRP-1A1ED3A1ED3 G KZ1-CED2-VRE-12VDC

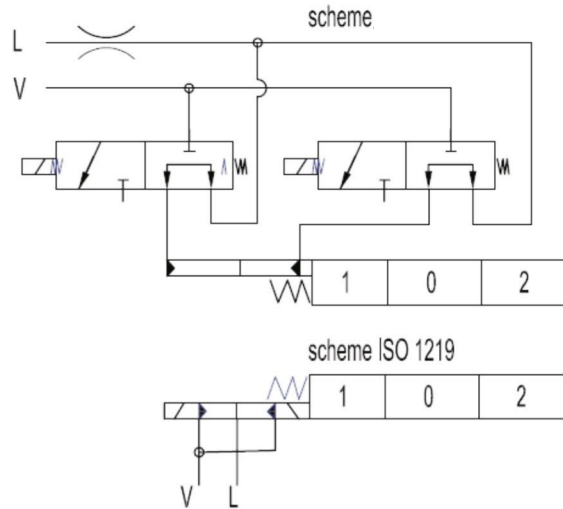
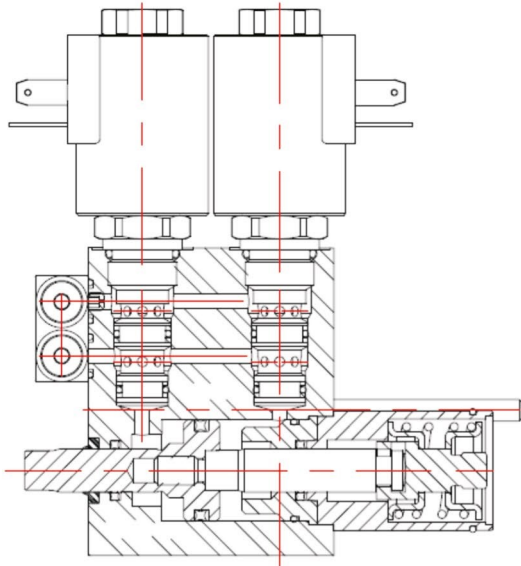
Back pressure valve VRE-P40



Pressure drop N-T



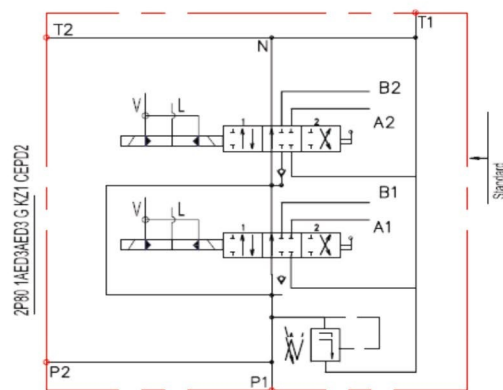
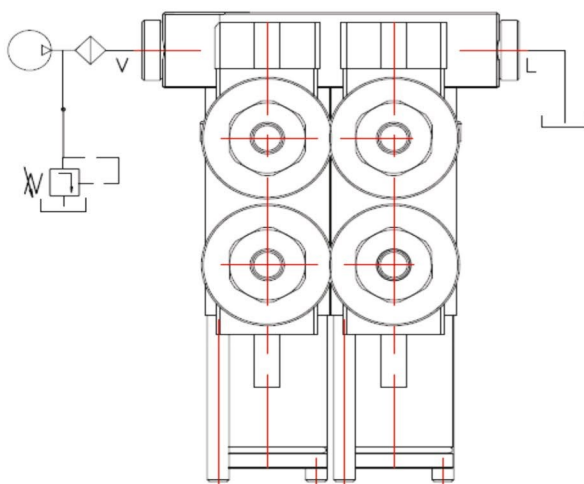
Directional control valve P80
Ed3 - Electro - hydraulic control ON-OFF



Ordering codes
 3-wai solenoid valve-SV08-33
 coil P80ED3-G-12VDC
 coil P80ED3-G-24VDC

Operating pressure	min 10 bar(145 psi)
Max operating pressure in .L (T line)	max 50 bar(725 psi)
Solenoid operating features	25 bar(360 psi)
Nominal voltage tolerance	10%
Power rating	24W
Duty cycle	100 %

Collector kit for external pilot and drain - CEED...(1,2,3 ...)



Ordering example

2P80-1A1ED3A1ED3 G KZ1-CEED2-12VDC

Ordering codes (BSP threads)

CEED1P80	kit for 1 section
CEED2P80	kit for 2 section
CEED3P80	kit for 3 section
CEED4P80	kit for 4 section