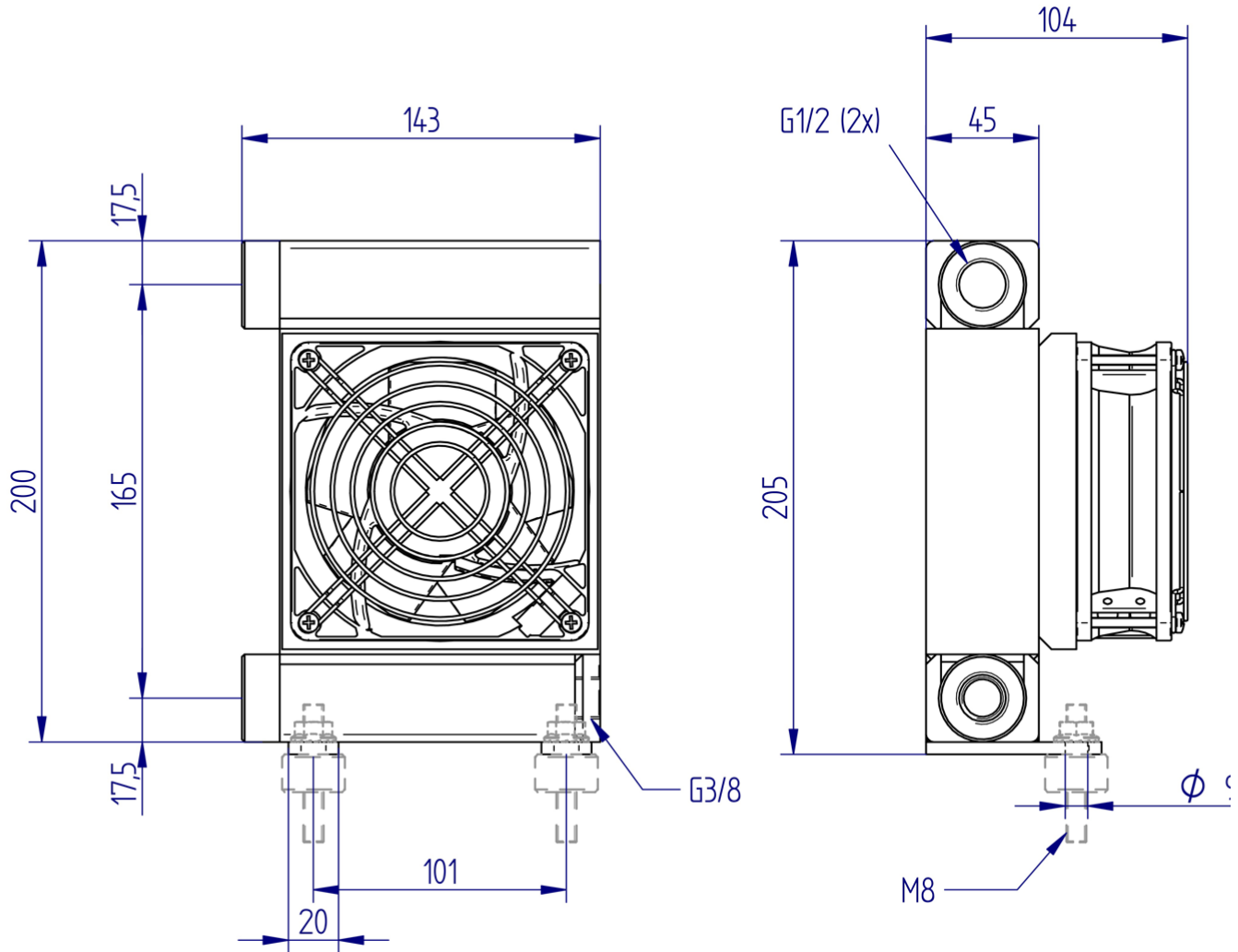


HY series
HY005.1-04A

AIR-OIL HEAT EXCHANGERS

IP20

24 Volt

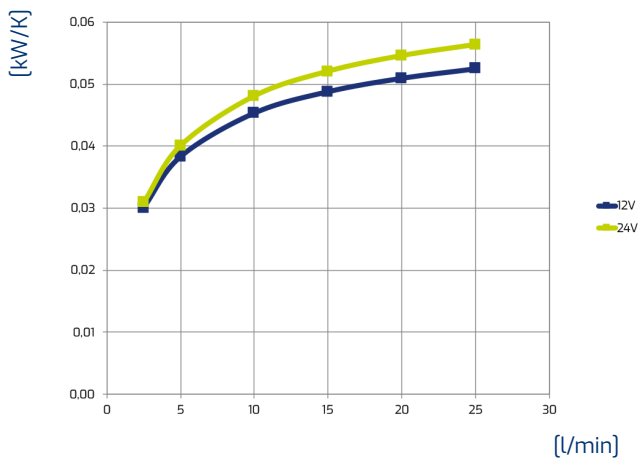


Technical data

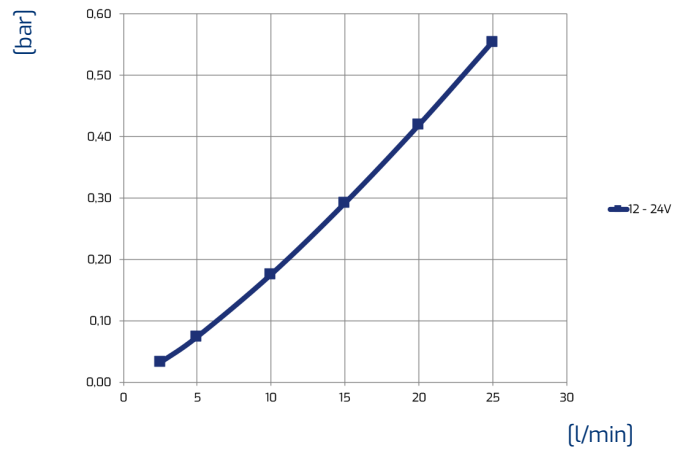
Item	Oil flow	Capacity	Weight	Voltage	Frequency	Current absorption	Power	Ø Fan	Air flow	Noise level	Rpm
	[l/min]	[l]	[kg]	[V]	[Hz]	[A]	[W]	[mm]	[m ³ /h]	[dB(A)]	
HY005.1-04A	2,5-25	0,6	3	24		0,23	5	115	205	46	

Performance

Pressure drop



Oil T 80°C
 T Amb. 40°C
 1 kW = 860 Kcal/h - 1 HP = 0,75 kW



ISO VG 32 at 40°C

Viscosity - ISO VG 32 Oil

Oil	22	32	46	68	150
Correction factor	0,8	1	1,2	1,6	3

Technical data are not binding - The graphs show the central range of heat exchange data