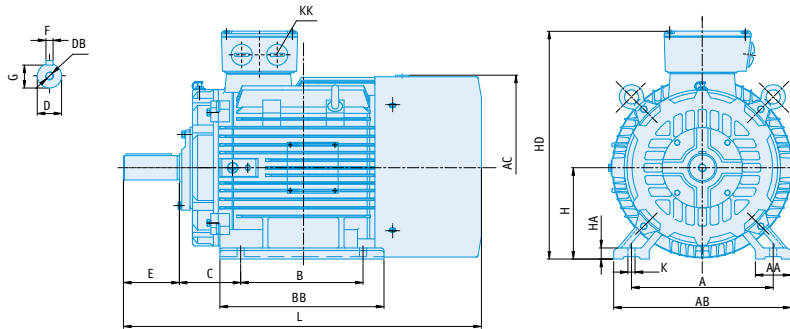


# DIMENSIONS

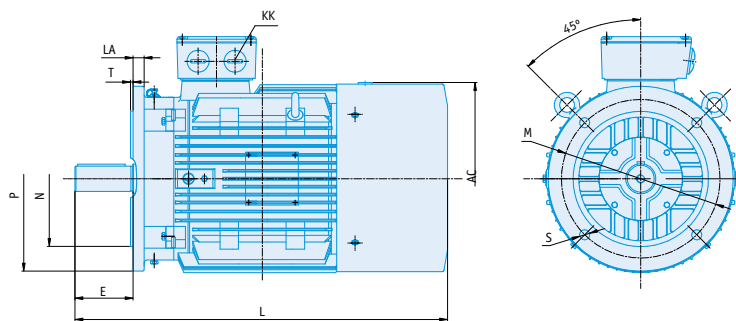
Cast iron **IE1-IE2 EG** series  
Construction Types **B3 - B5**



IM B3 / IM 1001															Shaft tolerances				
Frame	Poles	A	AA	AB	AC	B	BB	C	H	HA	HD	K	KK	L	D	DB	E	F	G
160M	2-8	254	73	320	330	210	318	108	160	20	420	15	2-M40x1.5	659	42	M16x36	110	12	37
160L	2-8	254	73	320	330	254	362	108	160	20	420	15	2-M40x1.5	714	42	M16x36	110	12	37
180M	2-8	279	73	355	380	241	349	121	180	22	455	15	2-M40x1.5	738	48	M16x36	110	14	42.5
180L	2-8	279	73	355	380	279	387	121	180	22	455	15	2-M40x1.5	778	48	M16x36	110	14	42.5
200L	2-8	318	73	395	400	305	375	133	200	25	505	19	2-M50x1.5	770	55	M20x42	110	16	49
225S	4-8	356	83	435	470	286	375	149	225	28	560	19	2-M50x1.5	820	60	M20x42	140	18	53
225M	2	356	83	435	470	311	400	149	225	28	560	19	2-M50x1.5	815	55	M20x42	110	16	49
225M	4-8	356	83	435	470	311	400	149	225	28	560	19	2-M50x1.5	845	60	M20x42	140	18	53
250M	2	406	88	490	510	349	450	168	250	30	615	24	2-M63x1.5	910	60	M20x42	140	18	53
250M	4-8	406	88	490	510	349	450	168	250	30	615	24	2-M63x1.5	910	65	M20x42	140	18	58
280S	2	457	93	550	547	368	490	190	280	35	680	24	2-M63x1.5	985	65	M20x42	140	18	58
280S	4-8	457	93	550	547	368	490	190	280	35	680	24	2-M63x1.5	985	75	M20x42	140	20	67.5
280M	2	457	93	550	547	419	540	190	280	35	680	24	2-M63x1.5	1035	65	M20x42	140	18	58
280M	4-8	457	93	550	547	419	540	190	280	35	680	24	2-M63x1.5	1035	75	M20x42	140	20	67.5
315S	2	508	120	635	645	406	575	216	315	45	845	28	2-M63x1.5	1185	65	M20x42	140	18	58
315S	4-8	508	120	635	645	406	575	216	315	45	845	28	2-M63x1.5	1215	80	M20x42	170	22	71
315M	2	508	120	635	645	457	685	216	315	45	845	28	2-M63x1.5	1295	65	M20x42	140	18	58
315M	4-8	508	120	635	645	457	685	216	315	45	845	28	2-M63x1.5	1325	80	M20x42	170	22	71
315L	2	508	120	635	645	508	685	216	315	45	845	28	2-M63x1.5	1295	65	M20x42	140	18	58
315L	4-8	508	120	635	645	508	685	216	315	45	845	28	2-M63x1.5	1325	80	M20x42	170	22	71
355M	2	610	120	730	710	560	750	254	355	52	1010	28	2-M63x1.5	1500	75	M24x50	140	20	67.5
355M	4-8	610	120	730	710	560	750	254	355	52	1010	28	2-M63x1.5	1530	100	M24x50	210	28	90
355L	2	610	120	730	710	630	750	254	355	52	1010	28	2-M63x1.5	1500	75	M24x50	140	20	67.5
355L	4-8	610	120	730	710	630	750	254	355	52	1010	28	2-M63x1.5	1530	100	M24x50	210	28	90

Shaft tolerances. Diameter up to 48 are k6. Rest are m6.

IM B5 / IM 3001						
Frame	P	N	M	S	T	LA
160	350	250	300	19	5	15
180	350	250	300	19	5	18
200	400	300	350	19	5	18
225	450	350	400	19	5	20
250	550	450	500	19	5	22
280	550	450	500	19	5	22
315	660	550	600	24	6	24
355	800	680	740	24	6	24



Frame 160, 180 and 200, 4 holes at 45°. Rest 8 holes at 22.5°.

\* The dimensions are not restricted to the series, for more info please ask. Dimensions EGQ series.