

ORDER CODE



	1	2	3	4	5	6	7	8	9	0	1
M P											

Pos.1 -Mounting Flange

- Omit - Oval mount, two holes
- F** - Ovalmount, four holes
- Q** - Square mount, four bolts
- W** - Wheelmount

Pos.2 - Option (needle bearings)

- omit - none
- N** - with needle bearings

Pos.3 Port type

- omit - Side ports
- E** - Rear ports

Pos.4 -Displacement code

- 25*** - 25,0 cm³/rev
- 32*** - 32,0cm³/rev
- 40*** - 40,0 cm³/rev
- 50** - 49,5 cm³/rev
- 80** - 79,2cm³/rev
- 100** - 99,0cm³/rev
- 125** - 123,8 cm³/rev
- 160** - 158,4 cm³/rev
- 200** - 198,0 cm³/rev
- 250** - 247,5 cm³/rev
- 315** - 316,8 cm³/rev
- 400** - 396,0 cm³/rev
- 500** - 495,0 cm³/rev
- 630** - 623,6 cm³/rev

Pos. 5 - Shaft Extensions**

- C** - ø25 straight, Parallelkey A8x7x32 DIN6885
- VC** - ø25 straight, Parallelkey A8x7x32 DIN6885 with corrosion resistant bushing
- CO** - ø1"straight, Parallelkey ¼"x¼"x1¼" Bs46
- VCO** - ø1"straight, Parallelkey ¼"x¼"x1¼" Bs46 with corrosion resistant bushing
- SH** - ø25,32 splined Bs2059 (SAE6B)
- VSH** - ø25,32 splined Bs2059 (SAE6B) with corrosion resistant bushing.
- K** - ø28,56 tapered 1:10, Parallelkey B5x5x14 DIN6885
- SA** - ø24,5 splined B25x22 DIN5482
- VSA** - ø24,5 splined B25x22 DIN5482 with corrosion resistant bushing
- CB** - ø32 straight, Parallelkey A10x8x45 DIN6885
- KB** - ø35 tapered 1:10, Parallelkey B6x6x20 DIN6885
- SB** - splined A25x22 DIN5482
- OB** - ø1¼" tapered 1:8, Parallelkey 5/16"x5/16"x1¼" BS46
- HB** - ø1¼" splined 14T ANSI B92.1 - 1976

Pos. 6 Shaft Seal Version

- omit - Low pressure shaft seal or Standard shaft seal for "... B"shaft
- D** - Standard shaft seal
- U** - High pressure shaft seal (without check valves)

Pos. 7 Drain Port

- omit - with drain port
- 1** - without drain port

Pos. 8 Ports

- omit - BSPP (ISO228)
- M** - Metric (ISO262)

Pos. 9 Special Features

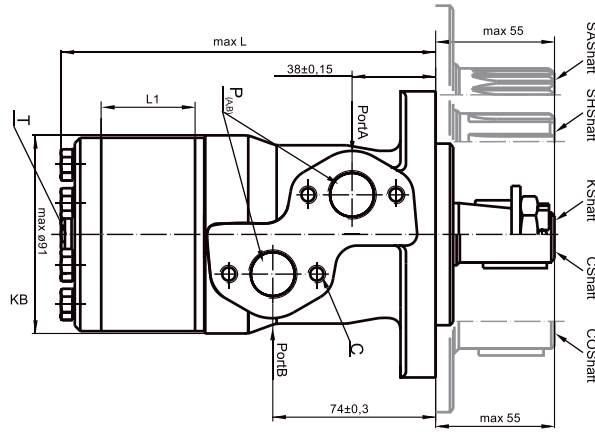
Pos.10 Design Series

- omit - Factory specified

SPECIFICATION DATA

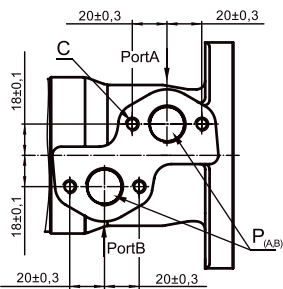
Type	MP 25	MP 32	MP 40	MP 50	MP 80	MP 100	MP 125	MP 160	MP 200	MP 250	MP 315	MP 400	MP 500	MP 630	
Displacement (cm ³ /rev.)	25	32.0	40.0	49.5	79.2	99	123.8	158.4	198	247.5	316.8	396	495	623.6	
Max. Speed (RPM)	cont.	1600	1560	1500	1210	755	605	486	378	303	242	190	150	120	95
	int.*	1800	1720	1750	1515	945	755	605	472	375	303	236	189	150	120
Max. Torque (daNm)	cont.	3.3	4.3	6.2	9.4	15.1	19.3	23.7	31.3	36.6	47	48.6	50	39	44
	int.* ¹	4.7	6.1	8.2	11.9	19.5	23.7	29.8	37.8	45.6	58.3	56	59	57	64
	peak**	6.7	8.6	10.7	14.3	22.4	27.5	36.5	43.8	55	68.5	85	85.4	78	82
Max. Output (kW)	cont.	4.5	5.8	8.4	10.1	10.2	10.5	10	10.1	10	9.5	7.6	6.2	3.5	3.3
	int.*	6.1	7.8	11.6	12.2	12.5	12.8	12	12.1	12	12	9	7.8	7.2	5.6
Max. Pressure Drop (bar)	cont.	100	100	120	140	140	140	140	140	140	140	120	95	60	55
	int.*	140	140	155	175	175	175	175	175	175	175	140	115	90	80
	peak**	225	225	225	225	225	225	225	225	225	225	225	180	130	110
Max. Oil Flow (l/min)	cont.	40	50	60	60	60	60	60	60	60	60	60	60	60	
	int.*	45	55	70	75	75	75	75	75	75	75	75	75	75	
Max. Inlet Pressure (bar)	cont.	175	175	175	175	175	175	175	175	175	175	175	140	140	
	int.*	200	200	200	200	200	200	200	200	200	200	200	175	175	
	peak**	225	225	225	225	225	225	225	225	225	225	225	225	225	
Max. Return Pressure w/o Drain Line or Max. Pressure in Drain (bar)	cont. 0-100 RPM	150	150	150	150	100	100	100	100	100	100	100	100	150	150
	cont. 300-600 RPM	75	75	75	75	30	30	30	30	30	30	30	30	75	-
	cont. 300-600 RPM	50	50	50	50	15	15	15	15	15	-	-	-	-	-
	cont. > 600 RPM	20	20	20	20	-	-	-	-	-	-	-	-	-	-
	int.* 0 - max.RPM	150	150	150	150	100	100	100	100	100	100	100	100	150	150
Max. Return Pressure with Drain Line (bar)	cont.	175	175	175	175	175	175	175	175	175	175	175	140	140	
	int.*	200	200	200	200	200	200	200	200	200	200	200	175	175	
	peak**	225	225	225	225	225	225	225	225	225	225	225	225	225	
Max. Starting Pressure with Unloaded Shaft, (bar)	10	10	10	10	10	10	9	8	7	6	5	5	5	5	
Min Starting Torque (daNm)	at max. press. drop. cont.	3	4	5.4	7.8		16.6	10.7	28.2	33.5	42.8	45.8	45.8	36	41.5
	at max. press. drop. Int.*	4.2	5.6	6.9	10	6(6.5)	21	26.6	35.5	42.6	54.2	61.9	60.8	54	62
Min. Speed***, (RPM)		20	15	10	10		10	10	10	10	10	10	10	10	
weight, agv. (kg)	MP(F)	5.6	5.6	5.7	5.8		6.2(6.7)							8.9	9.5
	MPF(E)...B							6.3(6.7)	6.5(6.9)	6.7(7.2)	6.9(7.4)	7.2(7.7)	7.7(8.2)		
	MPQ(N)				5.2									8.3	9.0
	MP(F)(N)E				6.3									9.3	10
	MPW(N)				5.5									8.8	
	MPQ(N)E				5.7										8.5

* Intermittent operation: The permissible values may occur for max. 10% of every minute.
 ** Peak load: The permissible values may occur for max. 1% of every minute.
 *** For speed of 5 RPM lower than given, consult factory or your regional manager.
 1) Intermittent speed and Intermittent pressure must not occur simultaneously.
 2) Recommended filtration is per ISO clean lines code 20/16. A nominal filtration of 25 micron or better.
 3) Recommend using a premium quality, anti-wear type mineral based hydraulic oil, HLP (DIN51524) or HM (ISO 6743/4) if using synthetic fluids consult the factory for alternative seal materials.
 4) Recommended minimum oil viscosity 13 mm²/s at 50 C.
 5) Recommended maximum system operation temperature is 82 C
 6) To assure optimum motor life fill with fluid prior to loading and run at moderate load and speed for 10-15 minutes.

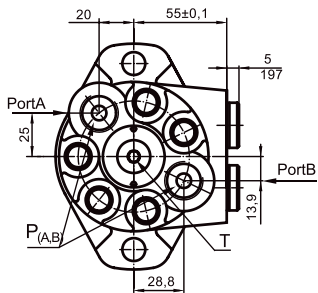


PORTING

S Side Ports



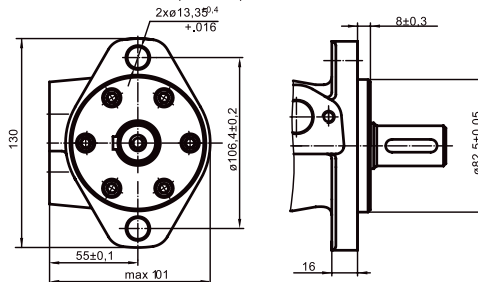
E Rear Ports



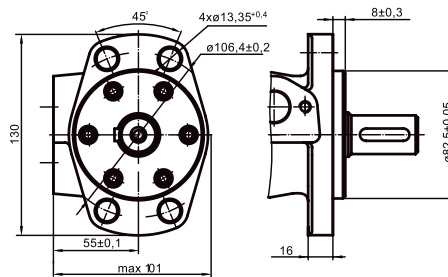
C : 4xM8 -13 mm depth
P_(A,B) : 2x G 1/2 or 2 x M 22 x 1,5 - 15 mm depth
T : G1/4 or M14x1,5 - 2 mm depth(plugged)

MOUNTING

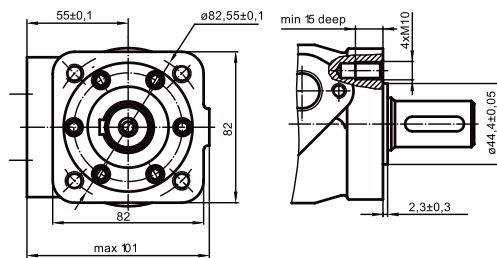
Oval Mount(2 Holes)



F - Oval Mount (4Holes)

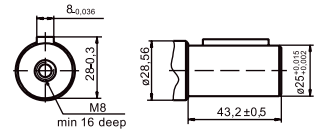


Q - Square Mount (4Bolts)

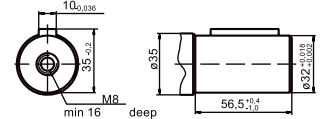


SHAFT EXTENSIONS

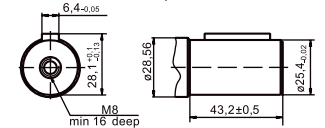
C - ø25 straight, Parallel key A8x7x32 DIN6885
Max. Torque 34daNm



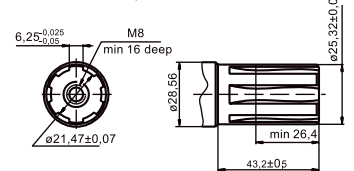
Cb - ø32 straight, Parallelkey A10x8x45 DIN6885
Max. Torque 77daNm



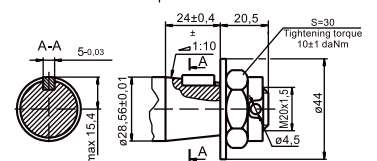
CO - ø1" straight, Parallelkey 1/4"x1/4"x1 1/2"BS46
Max. Torque 34daNm



SH - splined, BS 2059 (SAE6B)
Max. Torque 40daNm



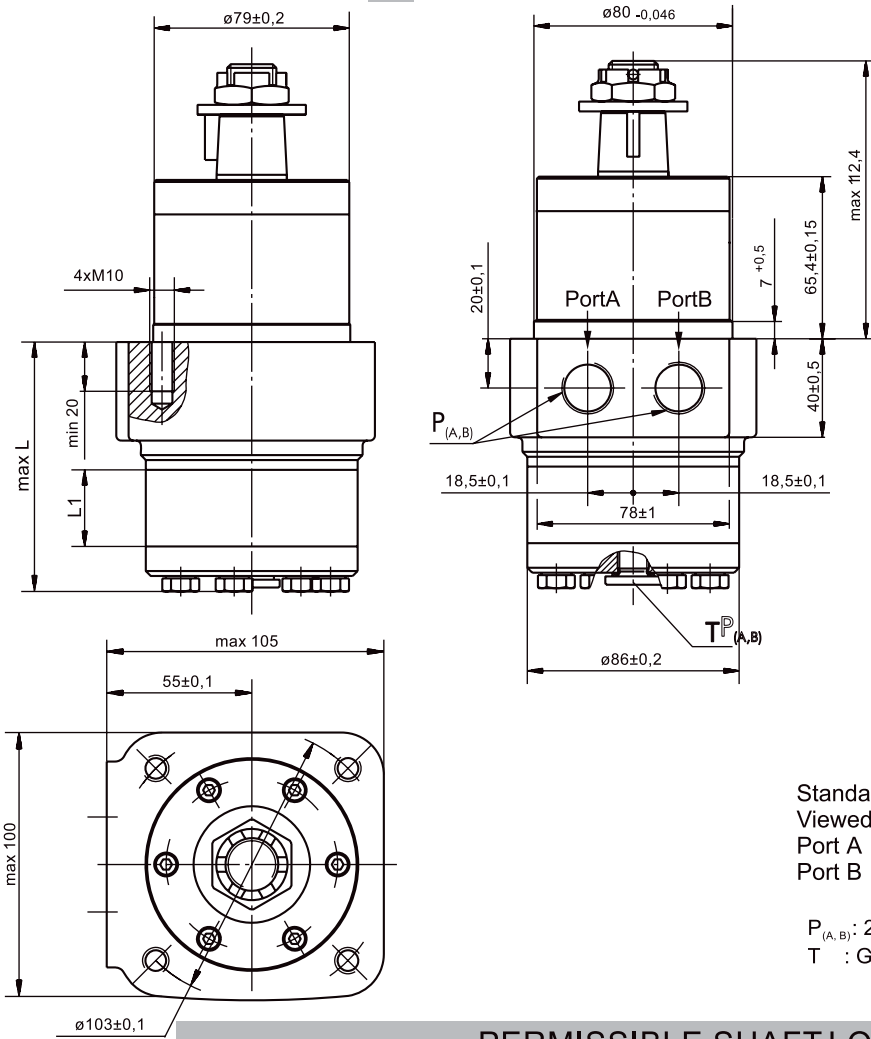
K - tapered 1:10, Parallelkey B5x5x14 DIN 6885
Max. Torque 40 daNm



Type	L _{mm}	Type	L _{mm}	Type	L _{mm}	Type	L _{mm}	L _{1,mm}
MP(F) 25	134,0	MPQ 25	140,5	MP(F)E 25	151,5	MPQE 25	158,0	5,20
MP(F) 32	135,0	MPQ 32	141,5	MP(F)E 32	152,5	MPQE 32	159,0	6,30
MP(F) 40	136,5	MPQ 40	142,5	MP(F)E 40	154,0	MPQE 40	160,0	7,40
MP(F) 50	135,5	MPQ 50	142,0	MP(F)E 50	153,0	MPQE 50	159,5	6,67
MP(F) 80	139,5	MPQ 80	146,0	MP(F)E 80	157,0	MPQE 80	163,0	10,67
MP(F) 100	142,0	MPQ 100	148,5	MP(F)E 100	160,0	MPQE 100	166,0	13,33
MP(F) 125	145,5	MPQ 125	152,0	MP(F)E 125	163,0	MPQE 125	169,5	16,67
MP(F) 160	150,0	MPQ 160	156,5	MP(F)E 160	168,0	MPQE 160	174,0	21,33
MP(F) 200	155,5	MPQ 200	162,0	MP(F)E 200	173,0	MPQE 200	179,5	26,67
MP(F) 250	162,0	MPQ 250	168,5	MP(F)E 250	180,0	MPQE 250	186,0	33,33
MP(F) 315	171,5	MPQ 315	178,0	MP(F)E 315	189,0	MPQE 315	195,5	42,67
MP(F) 400	182,0	MPQ 400	188,5	MP(F)E 400	200,0	MPQE 400	206,0	53,33
MP(F) 500	195,5	MPQ 500	202,0	MP(F)E 500	213,0	MPQE 500	219,5	66,63
MP(F) 630	213,0	MPQ 630	219,0	MP(F)E 630	230,5	MPQE 630	236,5	84,00

DIMENSIONS AND MOUNTING DATA -MPW

W - WheelMount



Type	L,mm	L _r ,mm
MPW 25	77,0	5,20
MPW 32	78,0	6,30
MPW 40	79,5	7,40
MPW 50	78,5	6,67
MPW 80	82,5	10,67
MPW 100	85,0	13,33
MPW 125	88,5	16,67
MPW 160	93,0	21,33
MPW 200	98,5	26,67
MPW 250	105,0	33,33
MPW 315	114,5	42,67
MPW 400	125,0	53,33
MPW 500	138,5	66,63
MPW 630	156,0	84,00



Standard Rotation Viewed from Shaft End
 Reverse Rotation Viewed from Shaft End
 Port A Pressurized CW Port A Pressurized CCW
 Port B Pressurized CCW Port B Pressurized CW

P_(A,B): 2x G 1/2 or 2x M 22 x 1,5 - 15 mm depth
 T: G1/4 or M14x1,5-12mm depth (plugged)

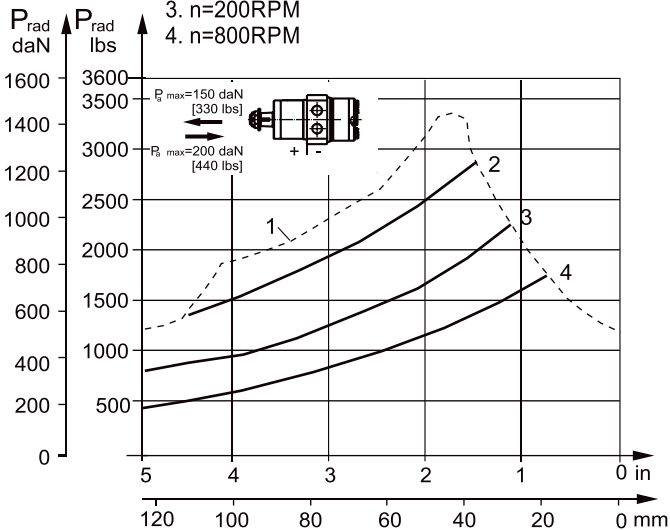
PERMISSIBLE SHAFT LOADS

MPWN

MPW

The curves apply to a B10 bearing life of 2000 hours.

1. Max. radial shaft load
2. n= 50RPM
3. n=200RPM
4. n=800RPM



1. Max. radial shaft load
2. n=300RPM
3. n=500RPM
4. n=800RPM

