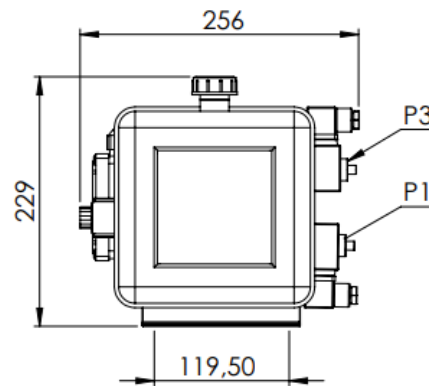
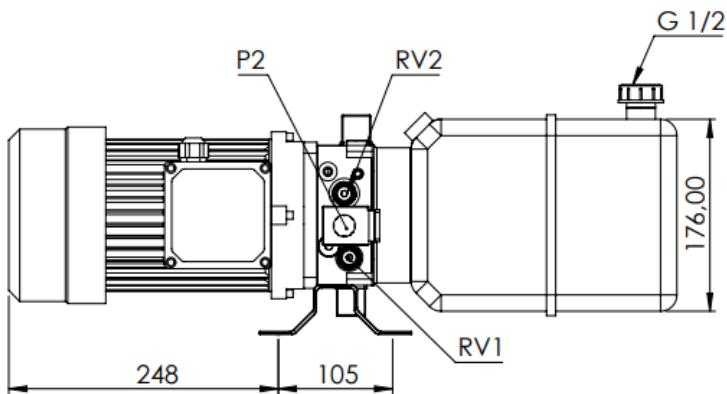
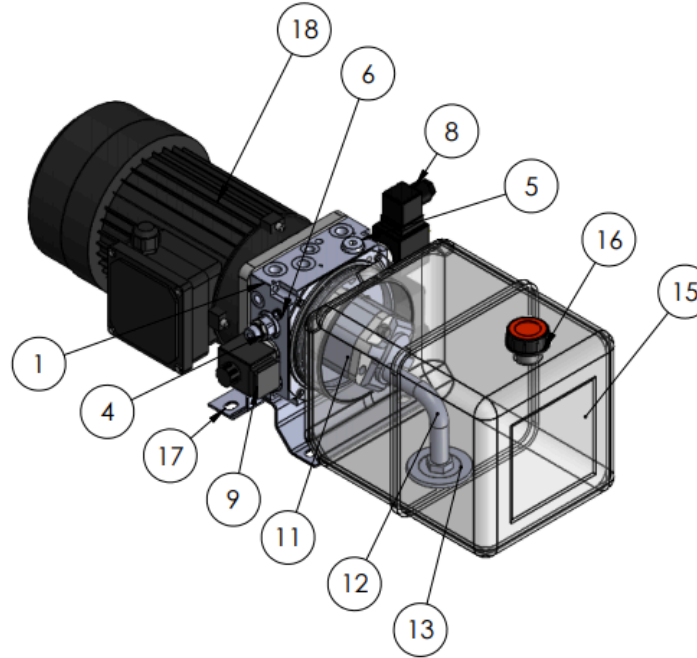
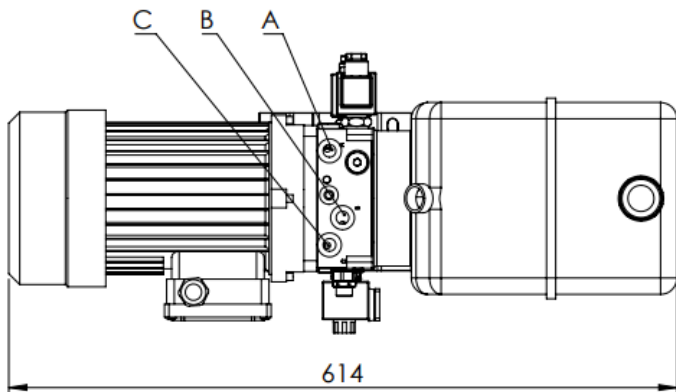


MINI POWER PACK FOR TELESCOPIC DOCK LEVELER

NO	Part No	QTY
1	HP-TDL	1
2	HP-CV	2
3	PCV	1
4	HP-PRV-05	2
6	HP-FCV	1
7	HP-PCFCV-02-I	1
8	P-NC-24 (KMP-24)	1
9	P-DNC	2
10	TDL coupling	1
11	10C1.8X302	1
12	SP-90-L	1
13	SF-60	1
15	TPL06	1
16	AB-1/2"	1
17	Connection plate	1
18	AC3H-1.5-2800	1



	M	P1	P2	P3
M : Electric Motor X : Energized				
Main Cylinder Extend	X	X		
Main Cylinder Close		X		
Lip Cylinder Extend	X		X	
Lip Cylinder Close	X			X

Hydraulic Circuit A,B,C: G 1/4"

