

ORDERING CODES

- 0 ————— block with common check valve
- 2 ————— number of spools
- P80 ————— directional control valve type ...
- R ————— inlet high pressure - right
- 1 ————— way of distribution / paralel or ..
- A ————— first spool distribution type
- 1 ————— spool control / detend and etc.
- A ————— second spool distribution type
- 1 ————— spool control / detend and etc.
- G ————— ports / treads
- KZ1 ————— general operation feature
- T ————— with "teton"
- H ————— operation feature ...
- E ————— with electric switch
- C2 ————— high pressure carry over
- 11 ————— connection ports in use

Table 1

	A	B	C	D	P1	P2	T1	T2
P80	65	79	107	65	*	*	—	—
2P80	80	94	160	103	*	*	*	*
3P80	80	94	198	141	*	*	*	*
4P80	80	94	242	179	*	*	*	*
5P80	80	94	280	217	*	*	*	*
6P80	80	94	318	255	*	*	*	*

Table 2

Spool control	E
1, 4, 5, 6, 7, 8, 9, 10, 11,	40
2, 3, 12, 14	72
13	44

Table 3

code	Number of spools
	1
2	2
3	3
4	4
5	5
6	6

Table 4

code	way of distribution
1	parallel
2	tandem(series paralel)

Table 5

code	spool type
A	
B	
C	
D	
E	
F	
G	
H	
M	
N	
O	
P	
Q	
R	
S	
T	
L	

Table 6

code	spool control
1	
2	
3	
4	
5	
6	
7	
8	
9	
10	
11	
12	
13	

Table 7

code	incorporated microswitch	
E		microswitch type Omron-V 165 I C5

Table 8

code	operation feature	
P		on-off pneumatic control; 5-10 bar; ports G1/4
H		on-off hydraulic control; pn = 5-20 bar; ports G1/4

Table 9

code	Ports (treads)			
	P	A ; B	T	N
M	M22x1.5	M22x1.5	M26x1.5	M26x1.5
G	G1/2	G1/2	G3/4	G3/4
S	7/8-14UNF	7/8-14UNF	1 1/16-14UNF	1 1/16-14UNF

Table 10

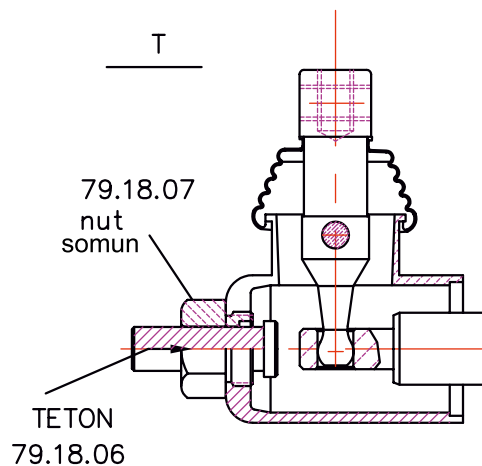
code	feature	code	feature	code	feature
KZ		KY		KI	
KZ1		KY1		KI1	
KZ0		KY0		KI0	
KZ01		KY01		KI01	
-	without hand control				

Table 11

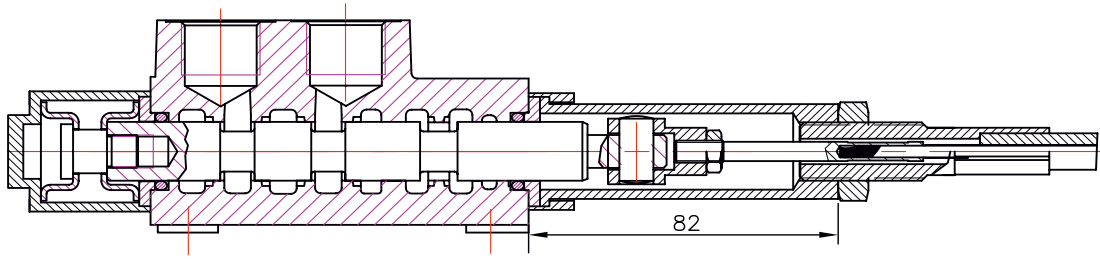
code	feature	feature
C	Closed center	
C1	Part for power beyond sleeve (carry over)	$\varnothing 14$ mm M22x1.5
C2	Part for power beyond sleeve (carry over)	G 1/2 M22x1.5
-	Without part for pressure carry over	
X	Power beyond ever to tank	

Table 12

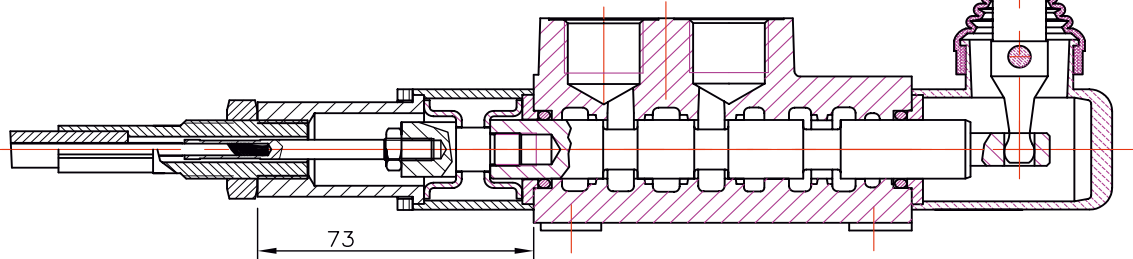
code	Used connection ports
11	P1 ; T1
12	P1 ; T2
21	P2 ; T1
22	P2 ; T2



REMOTE CONTROLS

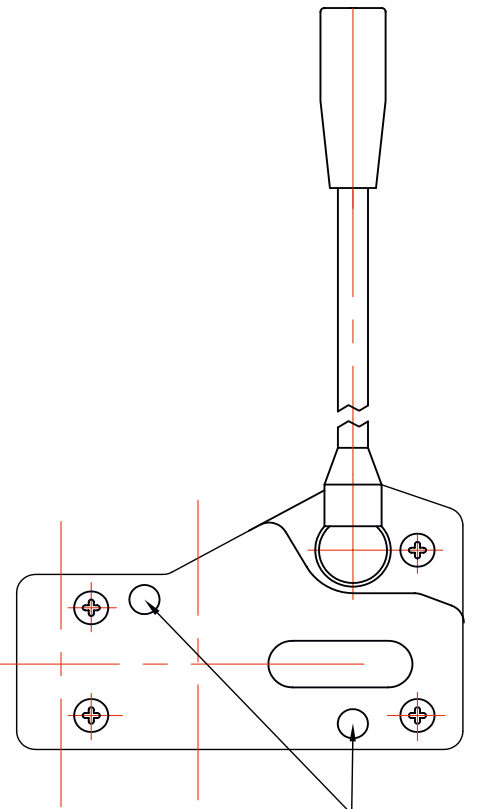


P80 A1G spool valve V1(I= . . .)+ cable 3047 control body



P80 A1G spool valve V2KZ1(I= . . .)+ cable 3047 control body

Technical specifications			
	3047	3076	3077
Stroke	13+13 mm	13+13 mm	13+13 mm
Max. load	45 kg	45 kg	45 kg
Level ratio	10:1	10:1	10:1
Lock in neutral	No	No	Yes
Antireverse lock	No	Yes	No
Body colour	Black	Black	Black
Cables type	Heavy Duty	Heavy Duty	Heavy Duty
Operating temperature	-40/+80C	-40/+80C	-40/+80C

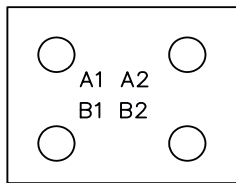
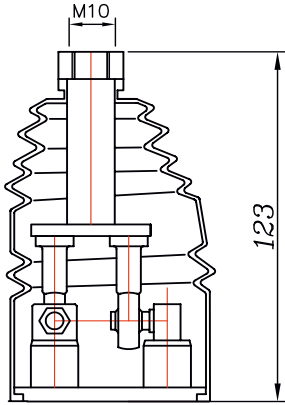


2 holes to mounting stackable

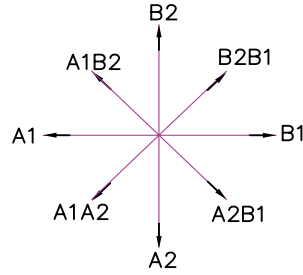
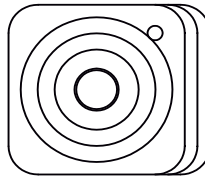
High solidity controls for easy mounting on every type of distributor. They can bymounted stand alone or packed together. They use push-pull heavy duty cables that provide a positive smooth operating lever and are manufactured in a three differents models to meet different needs of Clients.

JOYSTICK''+''

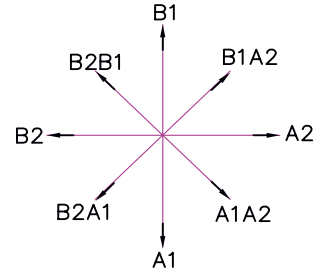
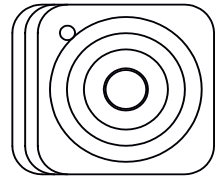
This control gives the possibility to operate, at the same time two spool with a ''+' movement



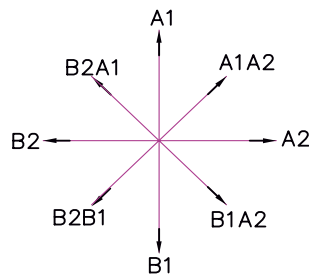
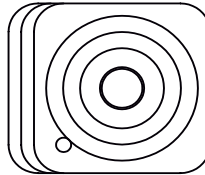
standard version 1



standard version 2



standard version 3



standard version 4

