

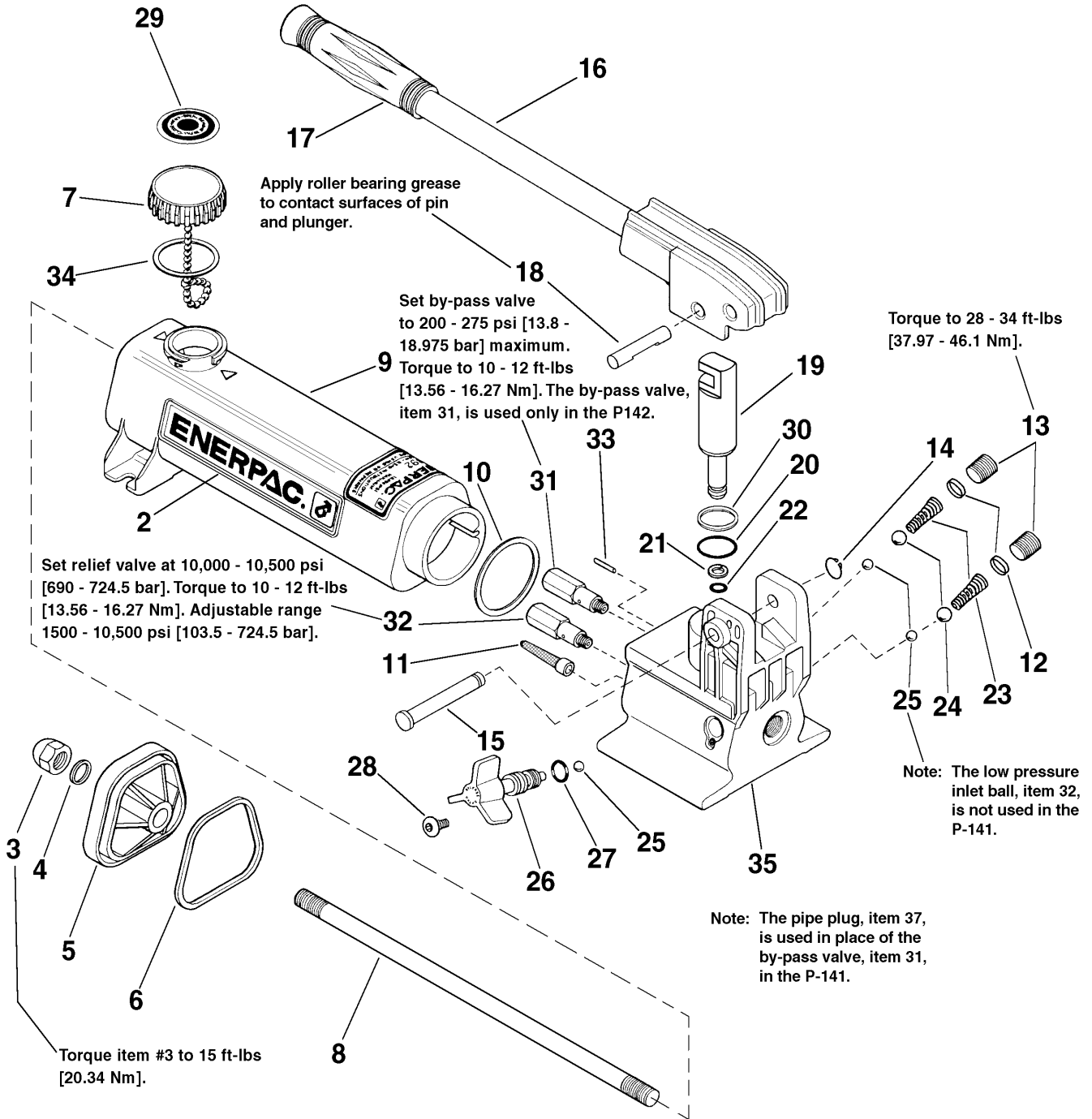
L1965  
Rev.C  
04/98  
PC 3035

For P-141, 1001 Date Codes Beginning With "B"  
For P-142, 1002 Date Codes Beginning With "B"



INSTALL ALL KIT COMPONENTS TO INSURE OPTIMUM PERFORMANCE OF THE REPAIRED PUMP.

Note: Base, Item #35, is not sold as a service part. Order complete pump.



# Parts List

Item No.	Part Number	Qty.	Description
2	★CN767026	2	Enerpac Decal
	DC1797026	2	Enerpac Decal (models 1001, 1002)
3	CL341055	1	Acorn Nut
4	★CU293167	1	Gasket
5	CN402020SR	1	End Cap (incl. items 3,4,6)
6	★B1141517	1	Square Ring
7	CN766950SR	1	Vent Cap Assembly (incl. items 29,34)
8	CL280149	1	Tie Rod
9	CN782025SR	1	Reservoir (yellow incl. items 2,3,4,6,10,34)
	DA3886025		Reservoir (red incl. items 2,3,4,6,10,34)
10	★B1131517	1	Square Ring Seal
11	★CB981018	1	Filter
12	★DA3702020	2	Spring Cap
13	CN815006	2	Pipe Plug (.250 - 18 N.P.T.F.)
14	★DA11783149	1	Retaining Ring
15	★CR215061SR	1	Beam Pin (incl. item 14)
16	CL915900SR	1	Beam and Handle Assembly
17	CL342550	1	Handle Grip
18	P20857	1	Cross Pin
19	CN412040SR	1	Plunger (incl. item 20,21,22,30)
20	★B1018803	1	O-Ring
21	★B1010564	1	Back-Up Washer
22	★B1010803	1	O-Ring
23	★DA1176210	2	Spring
24	★B1009016	2	5/16" Ball
25	★B1006016	3	7/32" Ball
26	CL913900SR	1	Spindle Assembly (incl. item 25,27,28)
27	★B1007503	1	O-Ring
28	★CU921028	1	Truss Head Machine Screw
29	★CN780026	1	Fill Decal
30	★B1018566	1	Back-Up Washer
31	DA5493900SR	1	Bypass Valve (models P142 and 1002)
32	DA8802900SR	1	Relief Valve (10,000 - 10,500 PSI)
33	★B1036057	1	Spring Pin
34	★CU724167	1	Vent Cap Gasket
35	DA5483005	1	Pump Base
37	A1006245	1	Pipe Plug (P141 only)

Indicates items included in Repair Kit P141K2. For viton seals, order Repair Kit P142KV1 in place of standard kit P141K2.

(Kit contains 2 sets of seals; be sure to replace with identical seal as the one removed ★ from the pump.)

**Australia**  
ENERPAC  
Applied Power Australia, Ltd.  
P.O. Box 261 Regents Park  
Sydney, N.S.W. 2143  
Tel: (61) (2) 9743 8988  
Fax: (61) (2) 9743 8648

**CIS**  
Applied Power Moscow  
Leninsky Prospekt 95A  
117313 Moscow, Russia  
Tel: (7)(95) 956 5090  
Fax: (7)(95) 936 2006

**France, Switzerland,  
Turkey, Greece, Africa,  
Middle East**  
ENERPAC S.A.  
B.P.200, Parc d'Activitiés  
du Moulin de Massy  
1 rue du Saule Trapu,  
F-91882 Massy CEDEX  
(Paris) France  
Tel: (33) 1 60 13 68 68  
Fax: (33) 1 69 20 37 50

**Germany, Scandinavia,  
Eastern Europe, Austria,  
Switzerland**  
ENERPAC  
Applied Power GmbH  
P.O. Box 30 01 13  
Mündelheimer Weg 51  
40472 Düsseldorf 30  
Germany  
Tel: (49) (211) 47 14 90  
Fax: (49) (211) 4714 940

**Holland, Belgium,  
and Luxembourg**  
ENERPAC B.V.  
P.O. Box 269, Storkstraat 25  
3900AG Veenendaal  
Holland  
Tel: (31) (318) 535911  
Fax: (31) (318) 525613

**Hong Kong**  
ENERPAC  
Applied Power Asia PTE LTD. 10-17 Sasame Kita-cho  
Room No. 907, Workingberg  
Commercial Building  
41-47 Marble Road,  
North Point  
Tel: (852) 2561-6285  
Fax: (852) 2561-6772

**India**  
ENERPAC  
Hydraulics (India) Pvt Ltd.  
203 Vardhaman Chambers  
Plot #84, Sector 17  
Vashi, New Bombay 400 705  
Maharashtra, India  
Tel: 91-22-7632061  
Fax: 91-22-7670309

**Italy**  
ENERPAC  
Applied Power Italiana S.p.A.  
Via Canova, 4  
20094 Corsico (Milano)  
Italy  
Tel: 39 2 45 82 741  
Fax: 39 2 48 60 12 88

**Japan**  
Applied Power Japan LTD  
10-17 Sasame Kita-cho  
Toda-City  
Saitama 335,  
Japan  
Tel: 81 048 422 2251  
Telex: J26275  
Fax: 81 048 422 0596

**Mexico**  
ENERPAC  
Applied Power Mexico  
Av. Principal La Paz #100  
Fracc. Industrial La Paz  
42092 Pachuca, Hidalgo, Mexico  
Tel: (52) 771 33700  
Fax: (52) 771 83800

**Singapore**  
Applied Power Asia PTE LTD.  
47 Jalan Pemimpin #01-02 &  
#01-03 Sin Cheong Building  
Singapore 577200  
Tel: (65) 258 1677  
Fax: (65) 258 2847

**South Korea**  
ENERPAC  
Applied Power Korea Ltd.  
163-12, Dodang-Dong  
Wonmi-ku, Buchun-Shi,  
Kyunggi-Do  
Republic of Korea  
Tel: (82) (32) 675 0836  
Fax: (82) (32) 675 3002

**Spain, Portugal**  
ENERPAC  
Applied Power International, S.A.  
Calle de la Imprenta, 7  
Polígono Industrial  
28100 Acobendas (Madrid)  
Spain  
Tel: (34) 1 661 11 25  
Fax: (34) 1 661 47 89

**United Kingdom, Ireland**  
ENERPAC Ltd. Unit 3  
Colemeadow Road  
North Moons Moat  
Redditch, Worcester B98 9BP  
England  
Tel: 44 01527 598 900  
Fax: 44 01527 585 500

**United States, Canada,  
Latin America and  
Caribbean**  
ENERPAC  
13000 West Silver Spring Drive  
Butler, Wisconsin 53007, USA  
Tel: (414) 781-6600  
1-800-433-2766 (End User)  
1-800-558-0530 (Distributor)  
Fax: (414) 781-1049

**Canada**  
Tel: 1-800-426-4129 (End User)  
Tel: 1-800-426-2284 (Distributor)

**Latin America and Caribbean**  
Tel: (414) 781-6600 ext. 263  
Fax: (414) 781-5561



**All Enerpac products are guaranteed against defects in workmanship and materials for as long as you own them. Under this guarantee, free repair or replacement will be made to your satisfaction.**

**For prompt service, contact your Authorized Enerpac Service Center or call toll free:**

**In U.S.A. 1-800-558-0530**

**In Canada 1-800-426-2284**

PRINTED IN U.S.A.