

ORDER CODE

1	2	3	4	5	6	7	8
M T							



Pos.1 Mounting Flange

omit - Square mount, four holes

- S** - Short mount
- V** - Very short mount
- W** - Wheelmount

Pos.2 Port type

omit - Side ports

- E** - Rear ports

Pos.3 - Displacement code

- 160** - 61,6 cm³/rev
- 200** - 201,4 cm³/rev
- 250** - 251,8 cm³/rev
- 315** - 326,3 cm³/rev
- 400** - 410,9 cm³/rev
- 500** - 523,6 cm³/rev
- 630** - 631,2 cm³/rev
- 725** - 724,3 cm³/rev

Pos.4 Shaft Extensions*

omit - for S and V mounting flange

- C** - ø40 straight, Parallelkey A12x8x70 DIN6885
- CO** - ø1½" straight, Parallelkey x 3/8" 3/8" x2 1/4" Bs46
- K** - ø45 tapered 1:10, Parallelkey B12x8x28 DIN6885
- SL** - ø34,85 p.t.o. DIN9611 Form1

- SH** - ø 1½" splined 17T ANS B92.1-1976

Pos.5 Shaft Seal Version

omit - Low pressure seal

- U** - High pressure seal

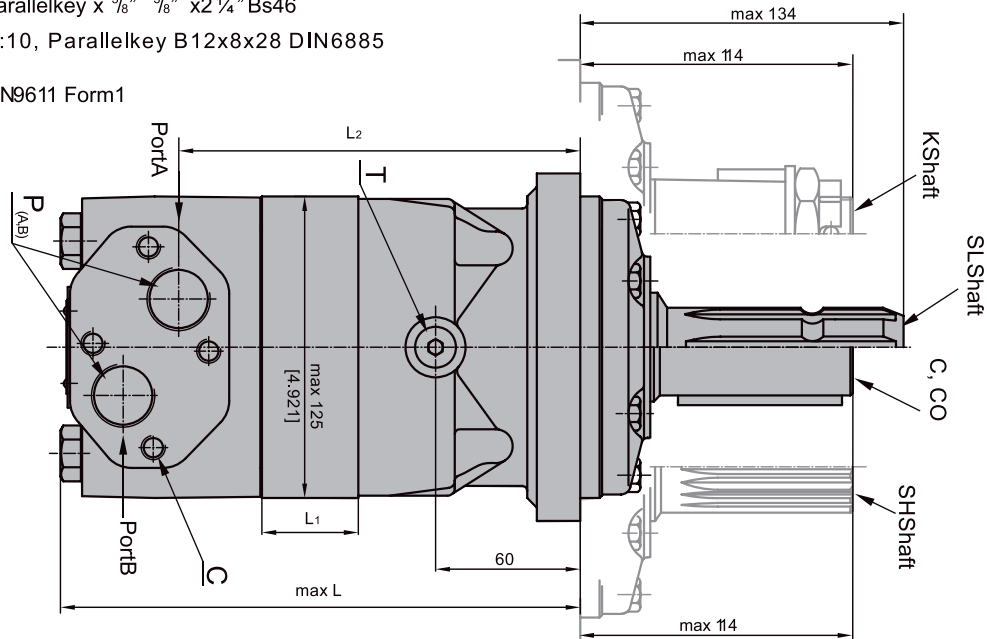
Pos.6 Ports

- omit - BSPP (ISO228)
- M** - Metric (ISO 262)

Pos.7 -Special Features

Pos.8 -Design Series

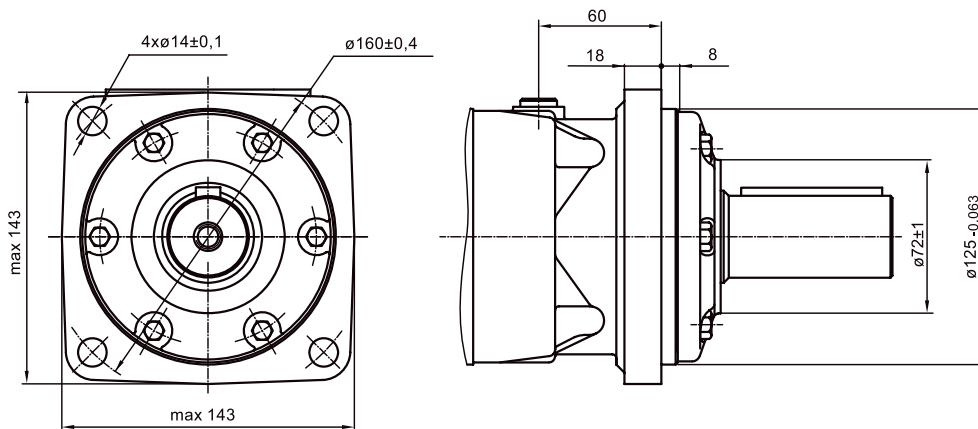
omit - Factory specified



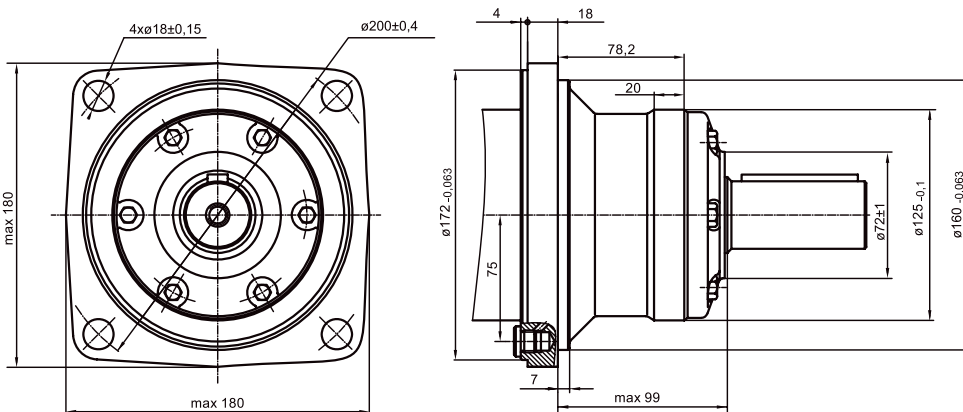
Type	L ₁ ,mm	L ₂ ,mm	L _E ,mm	Type	L ₁ ,mm	L ₂ ,mm	L _E ,mm	L ₁ ,mm
MT 160	190	140	200	MTW 160	123	73	133	16,5
MT 200	195	145	205	MTW 200	128	78	138	21,5
MT 250	201	151	211	MTW 250	134	84	144	27,8
MT 315	211	161	221	MTW 315	144	94	154	37,0
MT 400	221	171	231	MTW 400	154	104	164	47,5
MT 500	235	185	245	MTW 500	168	118	178	61,5
MT 630	231	181	241	MTW 630	164	114	174	57,5
MT 725	240	190	250	MTW 725	173	123	183	66,5

MOUNTING

Square Mount (4 Holes)

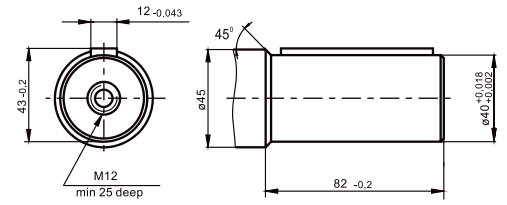


W Wheel Mount

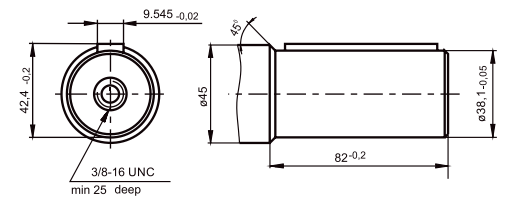


SHAFT EXTENSIONS

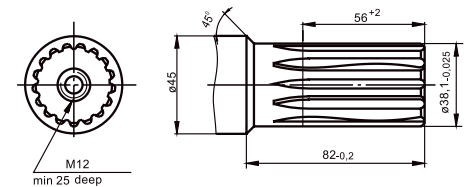
C - $\varnothing 40$ straight, Parallelkey A12x8x70 DIN6885
Max. Torque 132, 138,8 daNm



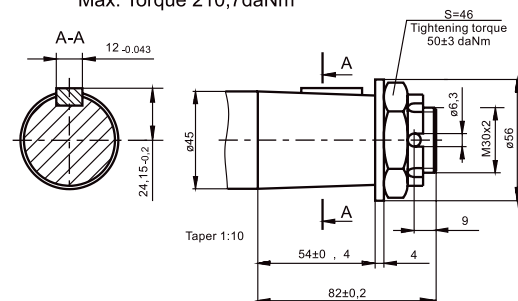
CO - $\varnothing 1\frac{1}{2}$ " straight, Parallelkey $\frac{3}{16}$ "x $\frac{3}{4}$ "x2 $\frac{1}{2}$ " BS46
Max. Torque 132,8 daNm



SH - $\varnothing 1\frac{1}{2}$ " splined 17T, DP 12/24 ANSI B92.1-1976
Max. Torque 132,8 daNm

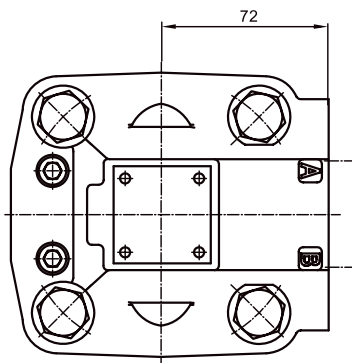
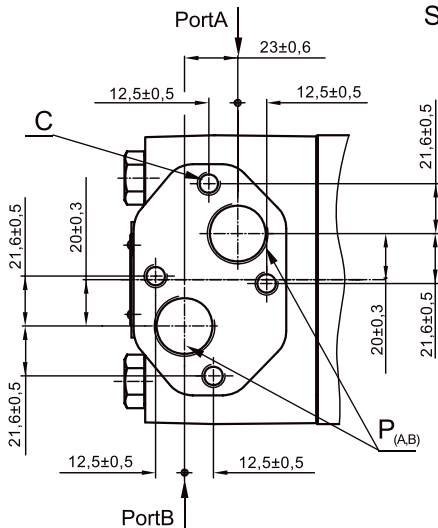


K -tapered 1:10, Parallelkey B12x8x28 DIN6885
Max. Torque 210,7daNm



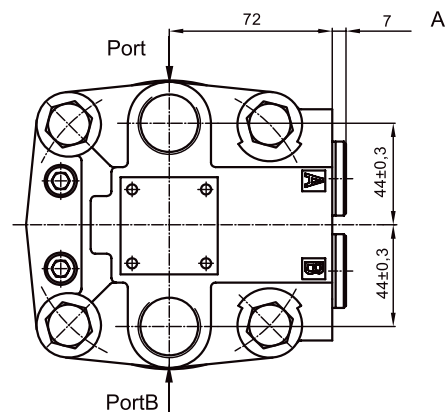
PORTING

Side Ports

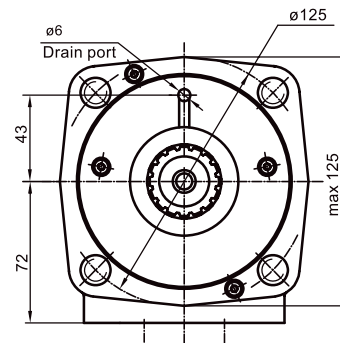
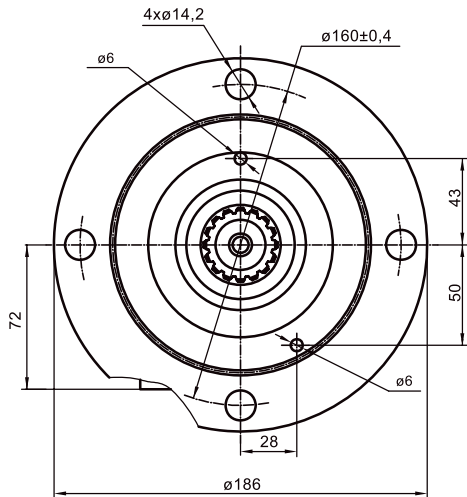
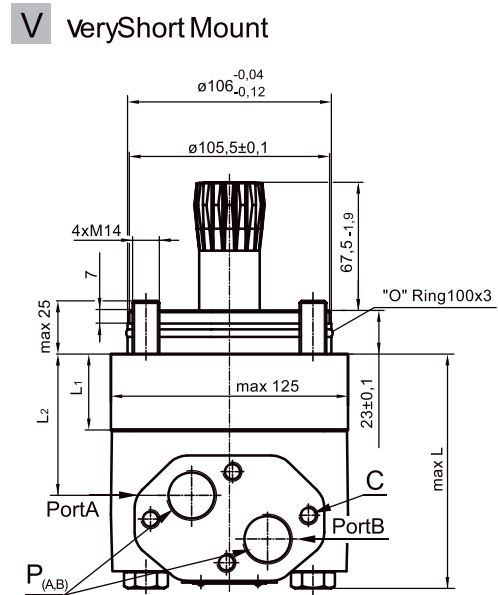
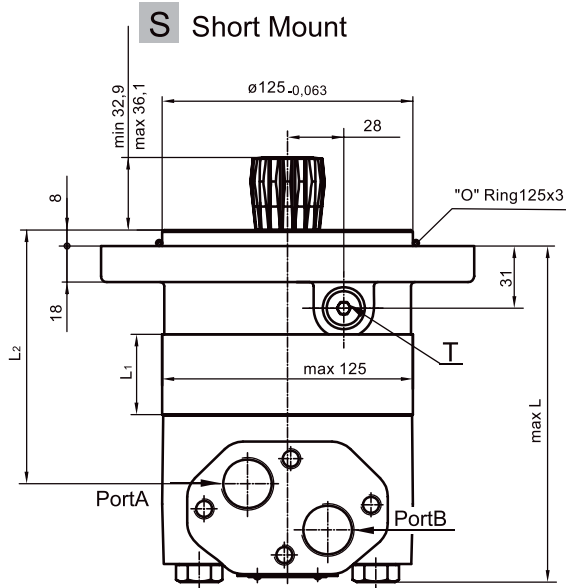


C: 4xM10-10 mm depth
P_(A,B): 2xG3/4or2xM27x2-17mm depth
T: G1/4 or M14x1,5- 12 mm depth plugged

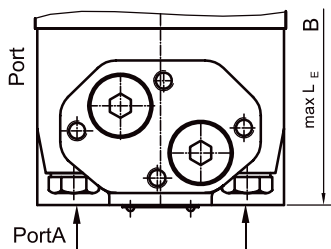
E Rear Ports



DIMENSIONS AND MOUNTING DATA - MTS and MTV



ERear ports



- C : 4xM10-10mm depth
- P_(A,B) : 2xG3/4 or 2xM27x2-17mm depth
- T : G 1/4 or 12 mm M14x1,5 mm depth (plugged)

Standard Rotation
Viewed from Shaft End
Port A Pressurized CW
Port B Pressurized CCW

Reverse Rotation
Viewed from Shaft End
Port A Pressurized CCW
Port B Pressurized CW

Type	L ₁ ,mm	L ₂ ,mm	L _E ,mm	Type	L ₁ ,mm	L ₂ ,mm	L _E ,mm	L ₁ ,mm
MTS 160	146	96	156	MTV 160	101	51,5	111	16,5
MTS 200	151	101	161	MTV 200	106	56,5	116	21,5
MTS 250	157	107	167	MTV 250	112	62,8	122	27,8
MTS 315	166	116	176	MTV 315	121	72,0	131	37,0
MTS 400	177	127	187	MTV 400	132	82,5	142	47,5
MTS 500	191	142	201	MTV 500	146	96,5	156	61,5
MTS 630	187	138	197	MTV 630	142	92,5	152	57,5
MTS 725	196	147	206	MTV 725	151	101,5	161	66,5

SPECIFICATION DATA

Type	MT 160	MT 200	MT 250	MT 315	MT 400	MT 500	MT 630	MT 725	
Displacement (cm ³ /rev.)	161.1	201.4	251.8	326.3	410.9	523.6	612.3	725	
Max. Speed (RPM)	cont.	625	625	500	380	305	240	206	172
	int.*	780	750	600	460	365	285	247	205
Max. Torque (daNm)	cont.	47	59	73	95	108	122	123	125
	int.*	56	71	88	114	126	137	138	140
	peak**	66	82	102	133	144	160	161	165
Max. Output (kW)	cont.	26.5	33.5	33.5	33.5	30	26.5	24.3	20.2
	int.*	32	40	40	40	35	30	27.5	26.8
Max. Pressure Drop (bar)	cont.	200	200	200	200	180	160	140	115
	int.*	240	240	240	240	210	180	160	130
	peak**	280	280	280	280	240	210	190	160
Max. Oil Flow (l/min)	cont.	100	125	125	125	125	125	125	125
	int.*	125	150	150	150	150	150	151.4	151.4
Max. Inlet Pressure (bar)	cont.	210	210	210	210	210	210	210	210
	int.*	250	250	250	250	250	250	250	250
	peak**	300	300	300	300	300	300	300	300
Max. Return Pressure w/o Drain Line or Max. Pressure in Drain (bar)	cont. 0-100 RPM	75	75	75	75	75	75	75	75
	cont. 100-300 RPM	40	40	40	40	40	40	40	40
	cont. 600 RPM	20	20	20	20	20	-	-	-
	int.* 0 - max.RPM	75	75	75	75	75	75	75	75
Max. Return Pressure with Drain Line (bar)	cont.	140	140	140	140	140	140	140	140
	int.*	175	175	175	175	175	175	175	175
	peak**	210	210	210	210	210	210	210	210
Max. Starting Pressure with Unloaded Shaft, (bar)	10	10	10	10	10	10	10	10	
Min Starting Torque (daNm)	at max. press. drop. cont.	34	43	53	74	84	95	95	95
	at max. press. drop. Int.*	41	52	63	89	97	106	108	110
Min. Speed***, (RPM)	10	9	8	7	6	5	5	5	
weight, agv. (kg)	MT	20	21.5	21	22	23	24	25	26
	MTW	22	22.5	23	24	25	26	27	28
	MTS	15	15.5	16	17	18	19	20	21
	MTV	11	11.5	12	13	14	15	16	17

* Intermittent operation: The permissible values may occur for max. 10% of every minute.

** Peak load: The permissible values may occur for max. 1% of every minute.

*** For speed of 5 RPM lower than even, consult factory or your regional manager.

1) Intermittent speed and Intermittent pressure must not occur simultaneously.

2) Recommended filtration is per ISO clean lines code 20/16. A nominal filtration of 25 micron or better.

3) Recommend using a premium quality, anti-wear type mineral based hydraulic oil, HLP (DIN51524) or HM (ISO 6743/4) if using synthetic fluids consult the factory for alternative seal materials.

4) Recommended minimum oil viscosity 13 mm²/s at 50 C.

5) Recommended maximum system operation temperature is 82 C

6) To assure optimum motor life fill with fluid prior to load and run at moderate load and speed for 10-15 minutes.