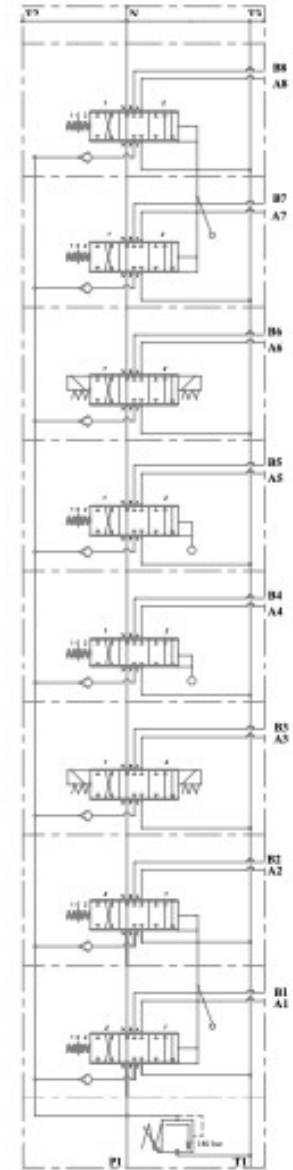
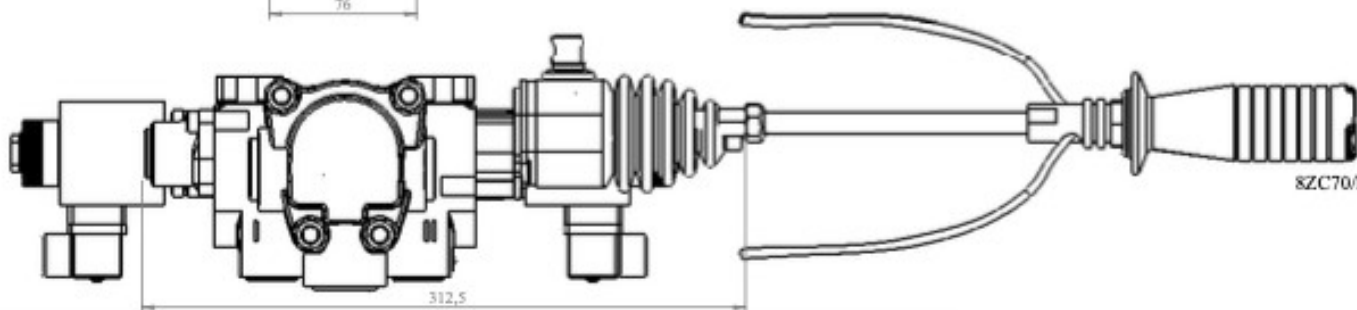
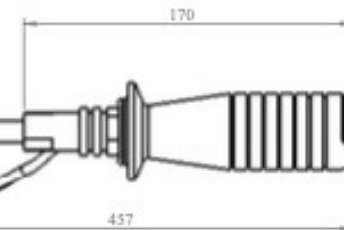
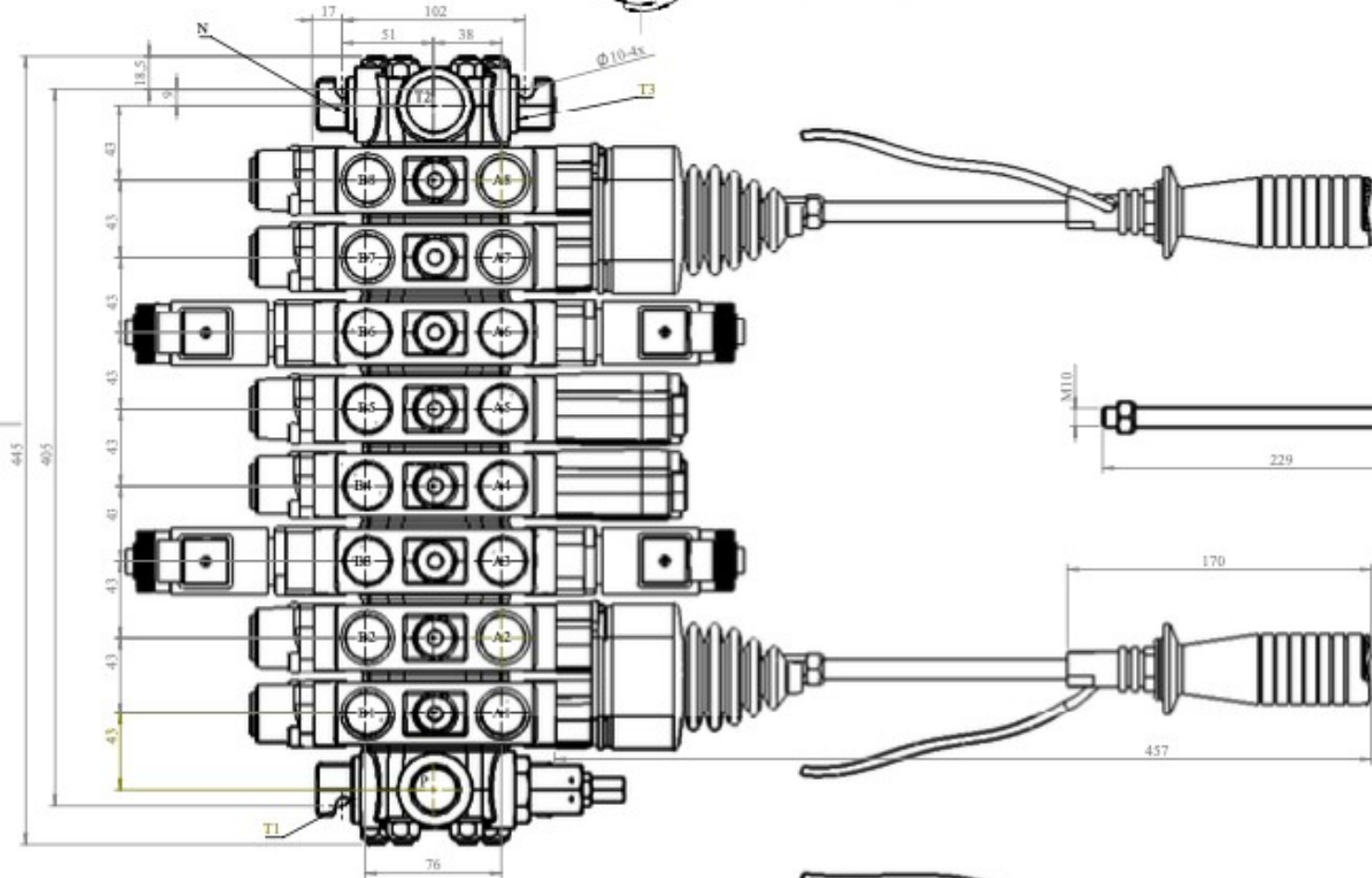
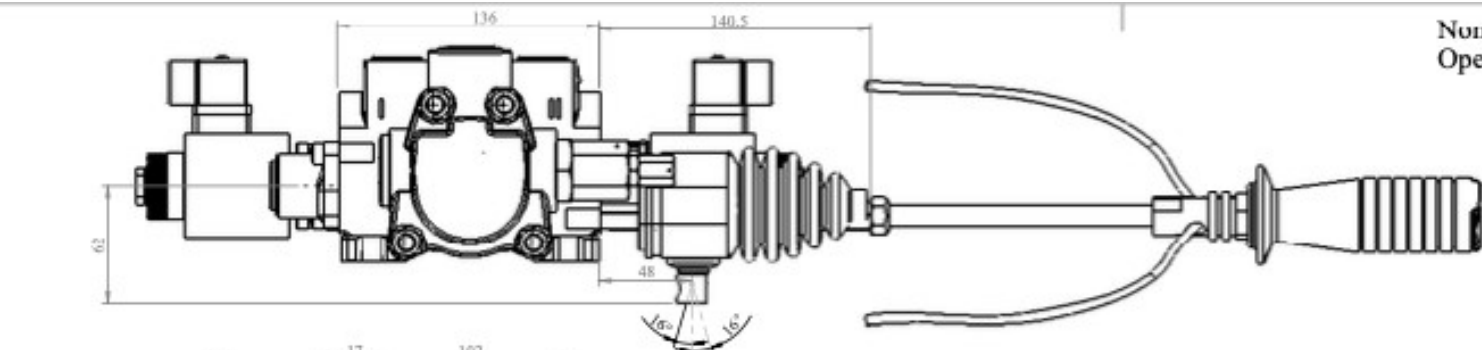


Nominal flow rate: 70 l/min
 Operating pressures:
 @ port P - 250 bar
 @ port A, B - 300 bar
 @ port T - 50 bar

Port threads:
 Port P - BSP G 1/2"
 Port A, B - BSP G 1/2"
 Port T2 - BSP G 1/2"
 Port T1; T3 - BSP G3/4"
 Port N - M26x1,5 (plugged by default)

24



8ZC70/N2/{PA1PA1(J3533+4)}/PAES3/2x(PA1)KZ01/PAES3/{(PA1PA1)(J3533+4)}/T2/G12/12V