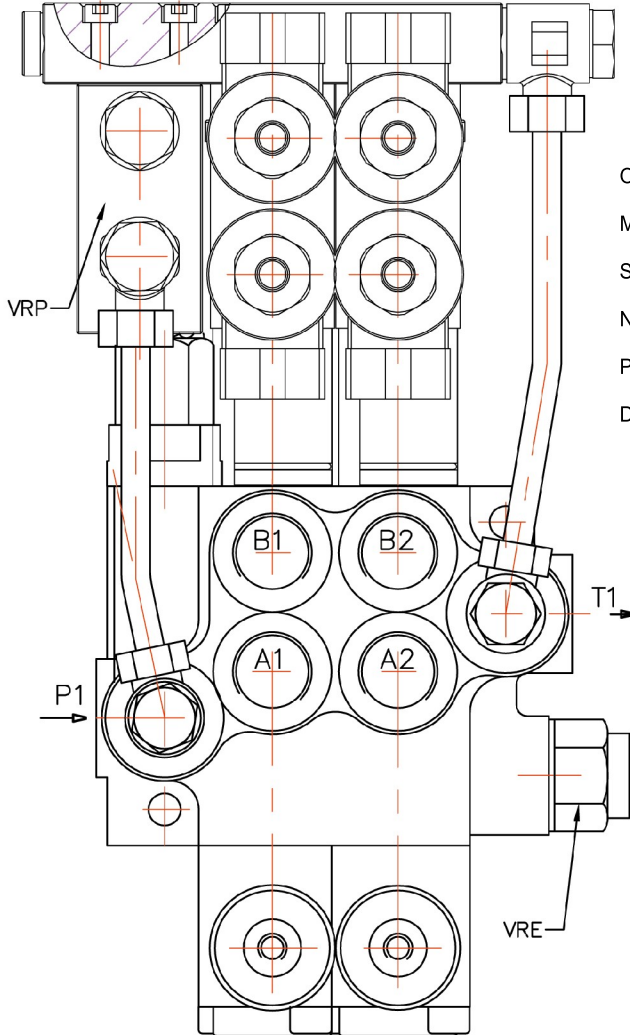
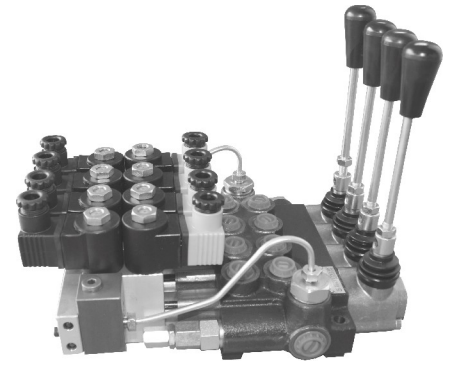


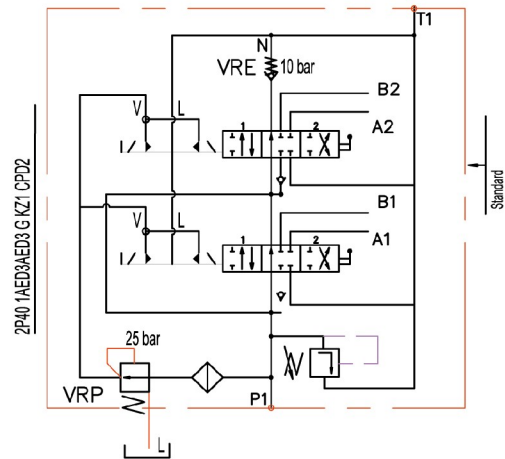
Directional control valve P40

Ed3 - Electro - hydraulic control ON-OFF

Ordering codes
3-way solenoid valve-LSV2-08-3C
coil P40ED3-G-12VDC
coil P40ED3-G-24VDC



Operating pressure	min 10 bar(145 psi)
Max operating pressure in .L (T line)	max 50 bar(725 psi)
Solenoid operating features	25 bar(360 psi)
Nominal voltage tolerance	±10%
Power rating	24W
Duty cycle	100 %



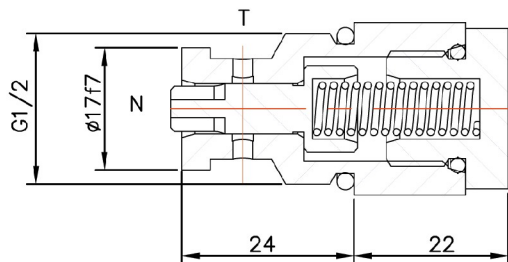
Ordering codes (BSP threads)

CED1	kit for 1 section
CED2	kit for 2 section
CED3	kit for 3 section
CED4	kit for 4 section

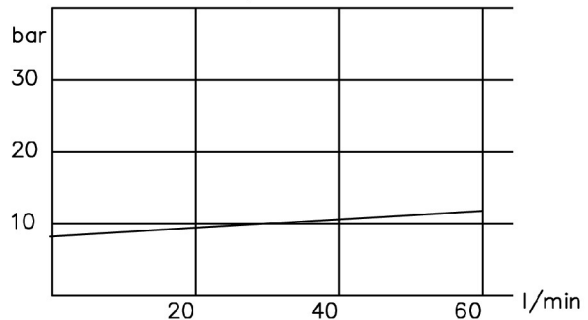
Ordering example

2P40-VRP-1A1ED3A1ED3 G KZ1-CED2-VRE-12VDC

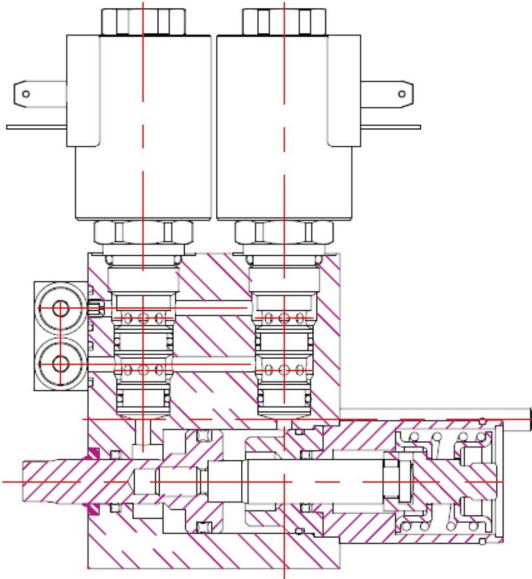
Back pressure valve VRE-P40



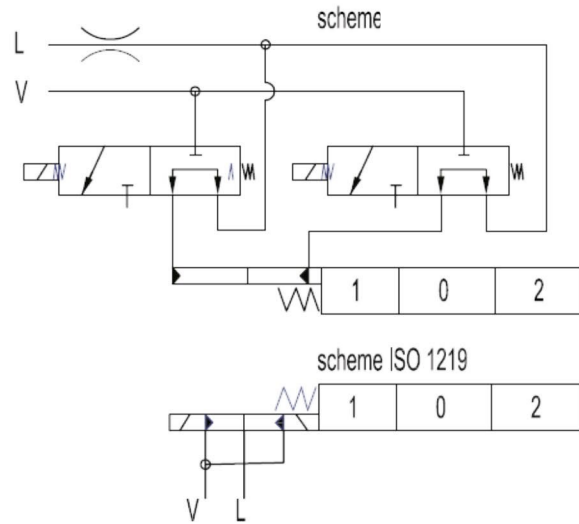
Pressure drop N-T



Directional control valve P40
Ed3 - Electro - hydraulic control ON-OFF

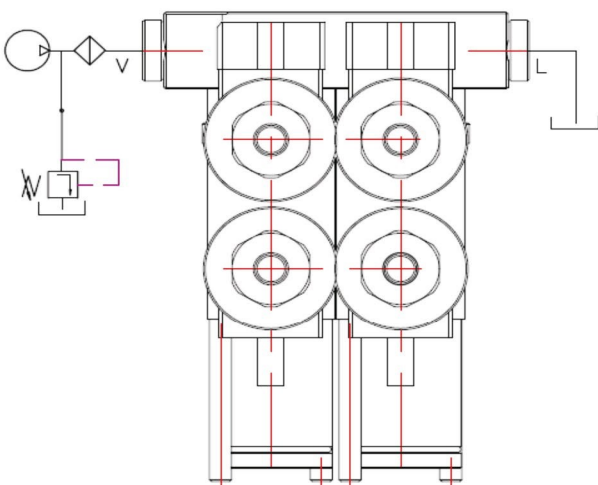


Ordering codes
3-wai solenoid valve-SV08-33
coil P40ED3-G-12VDC
coil P40ED3-G-24VDC



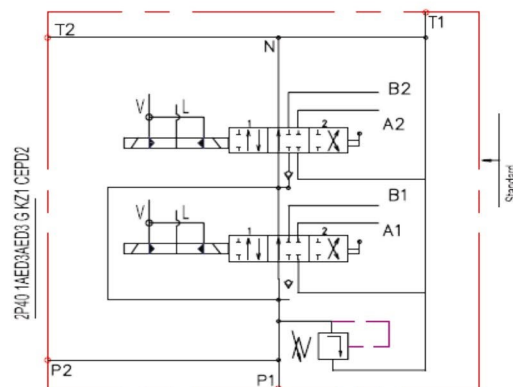
Operating pressure	min 10 bar(145 psi)
Max operating pressure in .L (T line)	max 50 bar(725 psi)
Solenoid operating features	25 bar(360 psi)
Nominal voltage tolerance	±10%
Power rating	24W
Duty cycle	100 %

Collector kit for external pilot and drain - CEED...(1,2,3 ...)



Ordering example

2P40-1A1ED3A1ED3 G KZ1-CEED2-12VDC



Ordering codes (BSP threads)

CEED1P40	kit for 1 section
CEED2P40	kit for 2 section
CEED3P40	kit for 3 section
CEED4P40	kit for 4 section