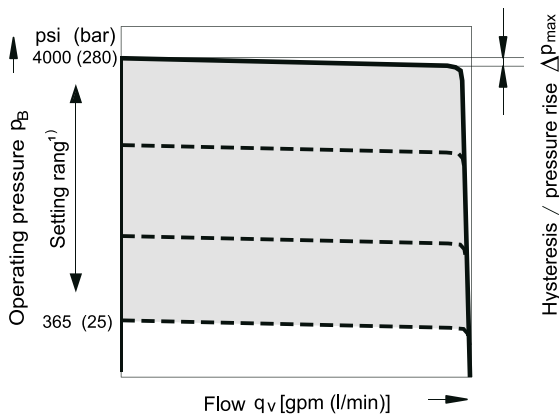


The pressure control limits the maximum pressure at the pump output within the pump control range. The variable pump only supplies as much hydraulic fluid as is required by the consumers. If the operating pressure exceeds the pressure setpoint set at the integrated pressure valve, the pump will adjust towards a smaller displacement and the control deviation will be reduced. The pressure can be set steplessly at the control valve.

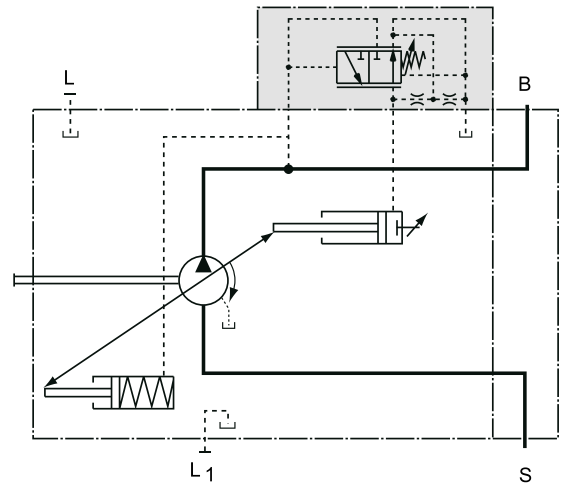
Static characteristic

(at $n_1 = 1800 \text{ rpm}$; $t_{\text{fluid}} = 122^\circ\text{F}$ (50°C)

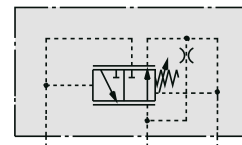


In order to prevent damage to the pump and the system, this setting range is the permissible setting range and must not be exceeded. The range of possible settings on the valve are wider.

Circuit diagram, sizes 18 to 100



Circuit diagram, size 140



	Port for
B	Service line
S	Suction line
L \ L1	Case drain (L1 plugged)

Control data

Hysteresis and repeatability Δp_{max} . approx. 3 bar

Pressure rise, maximum

NG	18	28	45	71	100	140
Δp psi	60	60	90	8	115	175
(bar)	(4)	(4)	(6)	(8)	(10)	(12)

Contr. fluid consumption max. approx. 0.8 gpm (3 l/min)
please see page 9