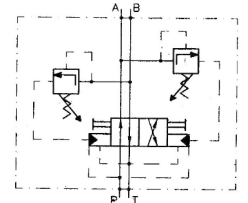
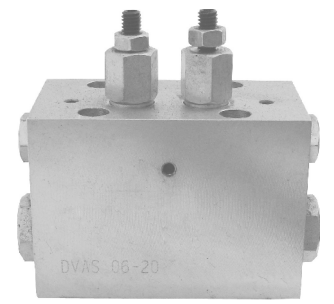
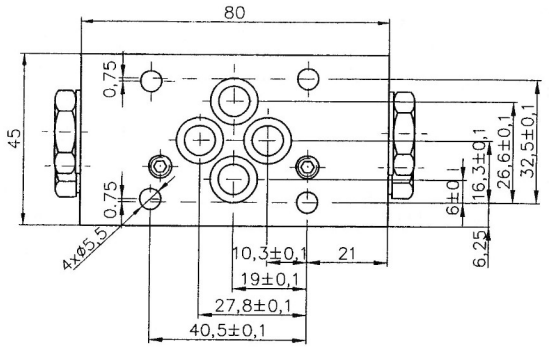
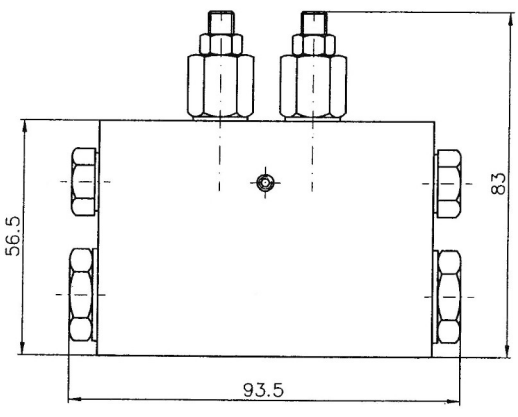
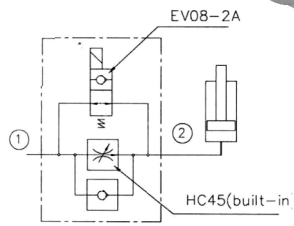
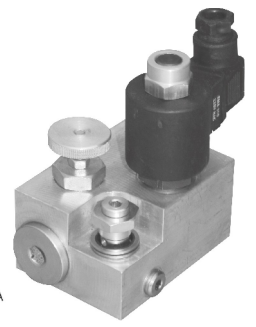
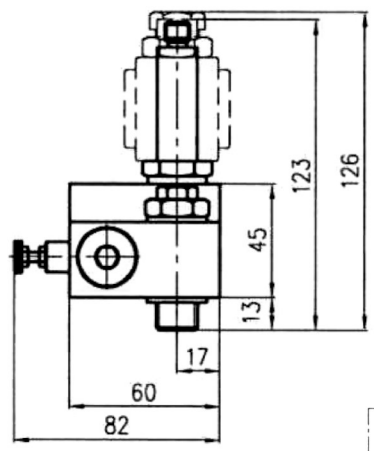
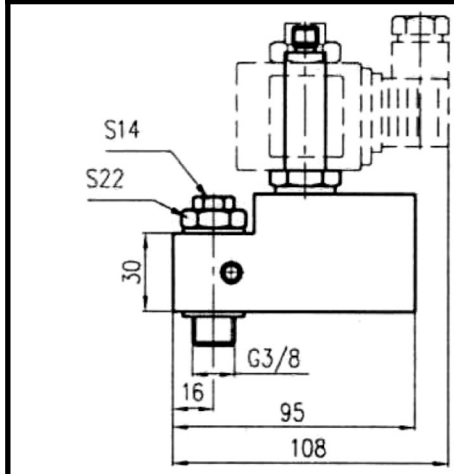
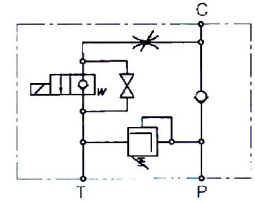
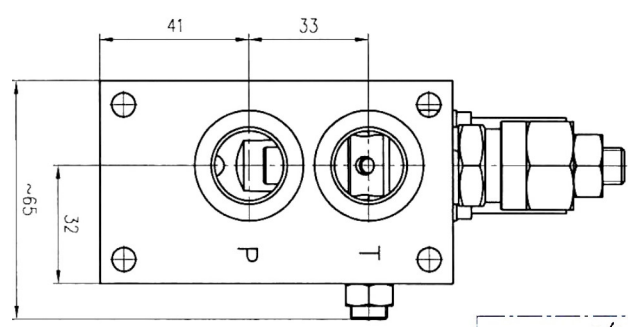
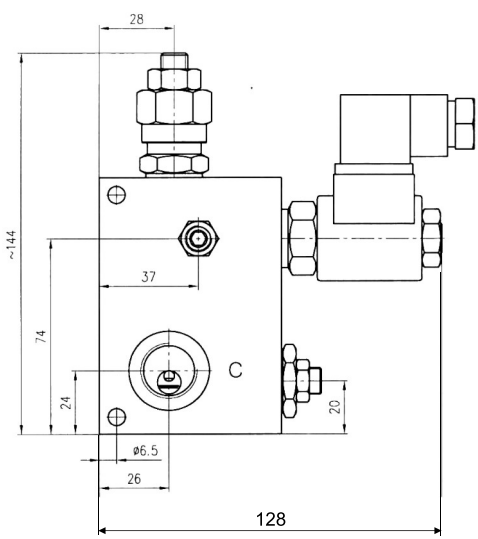


DVAS 06-20



Code Number	Type	Max. Flow	Min. Flow	Max. Pressure	Pressure Adjustment Range
		Lt./min	Lt./min	Bar	Bar
DVAS 06-20	Otomatik Valf	40	3	210	20...200

HV 115



Code Number	Type	Max. Flow	Min. Flow	Max. Pressure
		Lt./min	Lt./min	Bar
HC 62	Otomatik Valf	0,5	10	210