

PN: 680816 Std. drum

681091 Long drum

## **Introduction**

### ► Feature

Line pull (1 <sup>st</sup> layer):	3,630 kg / 8,000 lb ( SAE J706 rating ) 3,560 kg ( EN 14492-1 rating ) first layer of rope
Line speed (1 <sup>st</sup> layer):	15 mpm / 49 fpm at 60 l / min (15.9 g / min)
Operation pressure:	150 bar / 2,175 psi
Brake:	Drag brake and over-center valve provided for full 100% braking
Clutch (freespooling):	Pull and turn extended T-handle for rapid wire rope payout
Recommended wire rope:	10 mm x 30 m (std drum), 10 mm x 40 m (long drum), 1,960 N/mm <sup>2</sup> grade A minimum breaking strength of 69.8 KN required
Hydraulic system:	PTO/power take off unit driven pump

### ► Read this manual carefully

You should carefully read and understand this manual before operating it. Careless winch operation may result in personal injury hazards or property damage.

### ► Information requesting or parts ordering

Please specify the followings information:

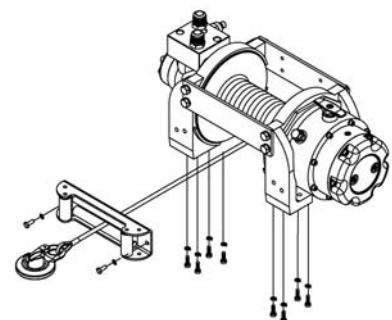
- Winch PN
- Serial number
- Part description
- Part number
- Quantity for each part

## **Installation**

Before using the winch, make sure all components have no corrosion or damaged; the environment should be clear and dry.

### ► Mounting

- Winch shall be mounted on a flat and hard surface.
- Winch should be mounted as closed to center and as perpendicular as possible to the direction of the line pull.
- Wire rope shall be wound in an under-wound



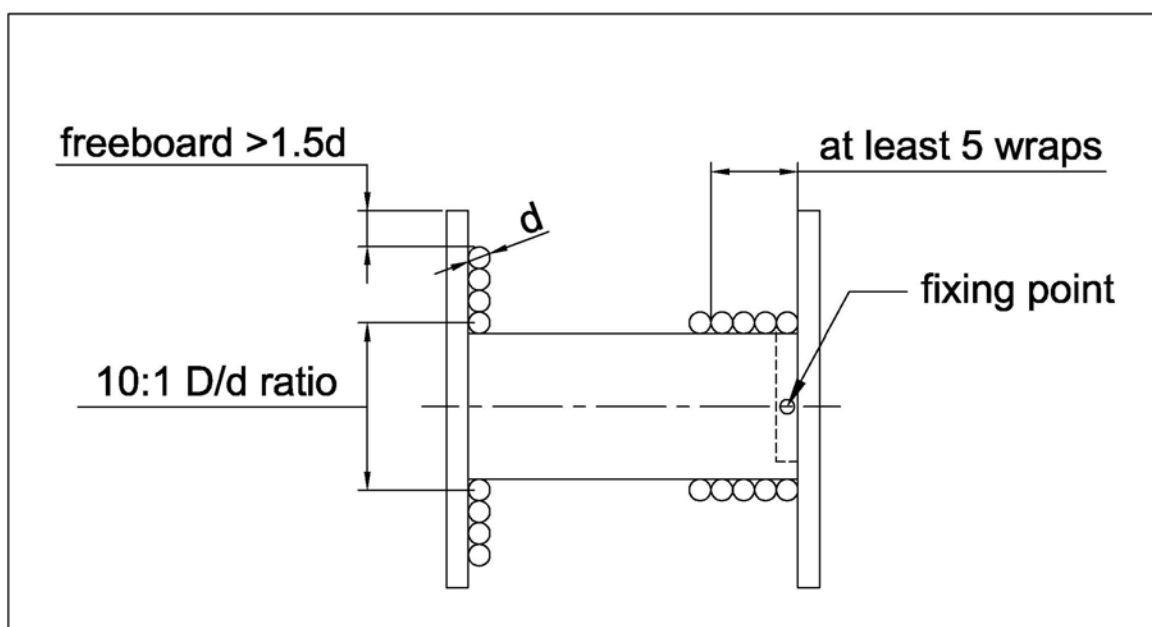
orientation only.

- Eight (8) M10 x 1.5 pitch 8.8 grade **w/44 N-m torque setting (maximum)** high tensile steel bolts must be used in order to sustain the loads imposed on the winch mounting.
- It is always preferred to use both tie bars in the final installed configuration.
- If there is a rope pileup on one end of the drum, reverse the winch to relieve the load and move your anchor point further to the center of the vehicle. Then you can rewind for a neat layer of the rope.

## **Compliance with EN 14492-1**

The winch HV-8 complies with European Standard of EN-14492:2006 Power-Driven Winches and the latest Machinery Directive: 2006/42/EC provided that the OWNER or END USER complies with all responsibilities described below.

1. Refer to the Instruction Manual to install winch for safe winching operation..
2. Fit a wire rope at 10 mm x 30/40 m grade 1960 N/mm<sup>2</sup> or EIPS with a minimum breaking strength of 69.8 KN to comply with EN ratings;
  - \* Rope drives with steel wire rope shall be dimensioned
  - \* At least 2:1 wire rope working coefficient for the first rope layer.
  - \* At least 10:1 D/d ratio to the centre of the rope
  - \* At least 1.5 layer of wire rope freeboard.
3. The wire rope must be painted red for 1.6 m on both ends and at least five (5) wraps of wire rope remained around the drum to comply with EN ratings;
  - \* At least two rope windings on the drum.
  - \* Rope attachment to withstand 2.5 x the remaining static force.
4. Fit a pressure relief valve to comply with rated capacity limiter.
5. Fit an emergency stop valve to comply with emergency stop function.
6. Fit a hook with a safety latch to comply with a safety hook.



## Warning

- This winch shall only be used for vehicle recovery or for pulling and lowering boats off trailers.
- The rated line pull and speed are based on the first layer of rope on the drum.
- The rope winding on the drum shall remain 5 wraps from the drum.

## Warranty

Comeup Industries Inc. takes the responsibility for all parts and components to be free from defects in materials and workmanship appearing under normal use for one year from the date of purchase.

## Parts List

Item No.	Description	Part No.	Qty
1	Hydraulic motor kit	880144	1
2	Over center valve	880145	1
3	Motor support rack	882093	1
4	Tie bar kit for std drum	880270	1
	Tie bar kit for long drum	880163	1
5	Tie bar kit for std drum	880271	1
	Tie bar kit for long drum	881172	1
6	Drum bushing	880048	2
7	Drum kit, std.	881134	1
	Drum Kit, long	881139	
8	Connecting shaft kit for std drum	880150	1
	Connecting shaft kit for long drum	880165	1
9	Gearbox support rack	881135	1
10	2 <sup>nd</sup> stage carrier	880152	1
11	1 <sup>st</sup> stage carrier	880153	1
12	Ring gear	880154	1
13	1 <sup>st</sup> shaft kit	880155	1
14	Clutch kit	880156	1
15	Gear box kit	881315	1
16	Drag brake kit	880158	1
17	Brake disc	881127	1
18	Brake spring	881128	1
19	Brake cover kit	881317	1
20	Roller fairlead for std. drum	880160	1
	Roller fairlead for long drum	880180	

# Winch Assembly

