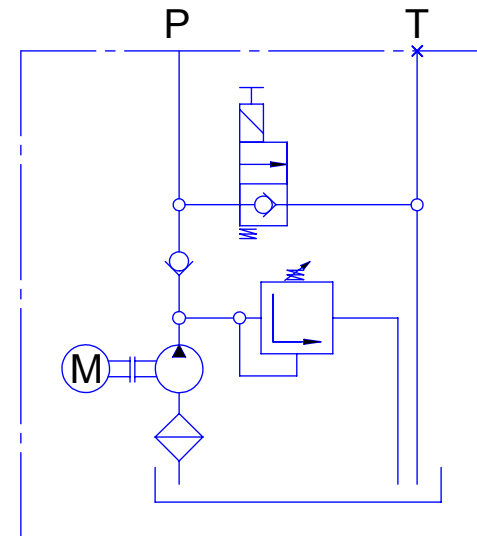
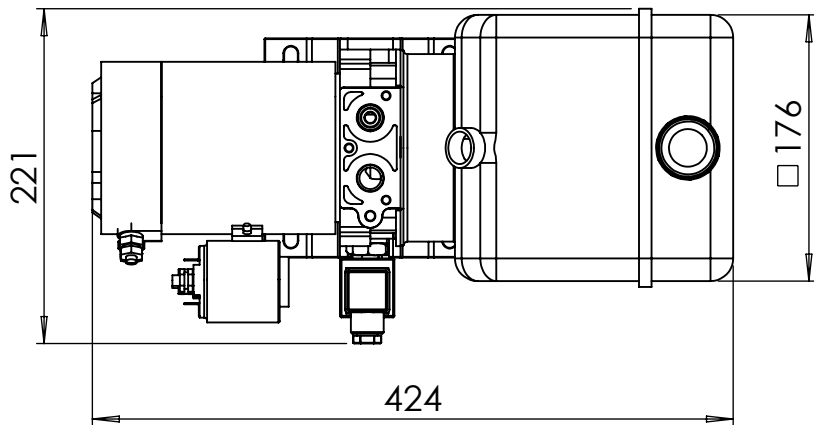


Hydraulic Circuit
P, T = G 3/8



- Poppet valve is without coil
- Popet valfi bobinsiz takiniz.

ELECTRIC MOTOR

PUMP & OIL TANK

MAX. PRESSURE

Power: 1.6 kW

Pump displacement: 1.8 cc/rev

P: 180 bar

Voltage: 12 V DC

Tank Capacity: 4 liter plastic, horizontal

Notes:

DESIGNED BY	NAME	SIGNATURE	DATE	MATERIAL:

DESCRIPTION	A4
MINI POWER PACK	