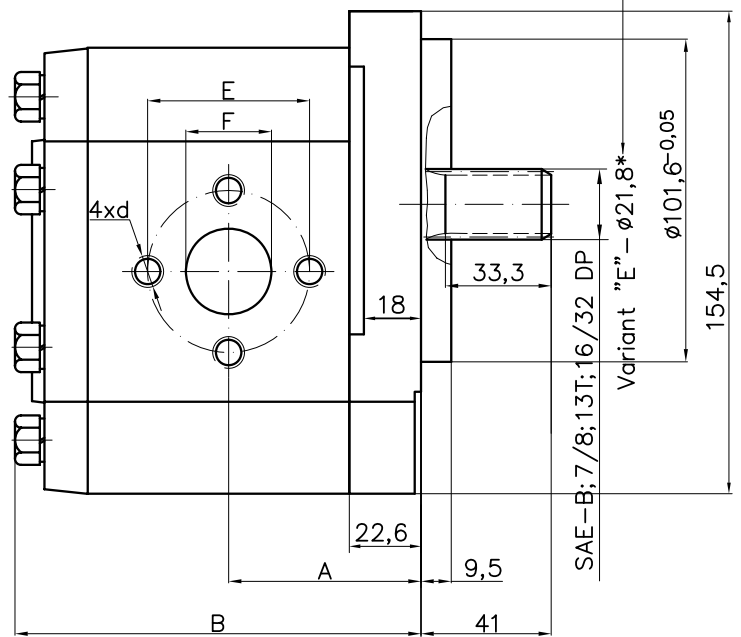
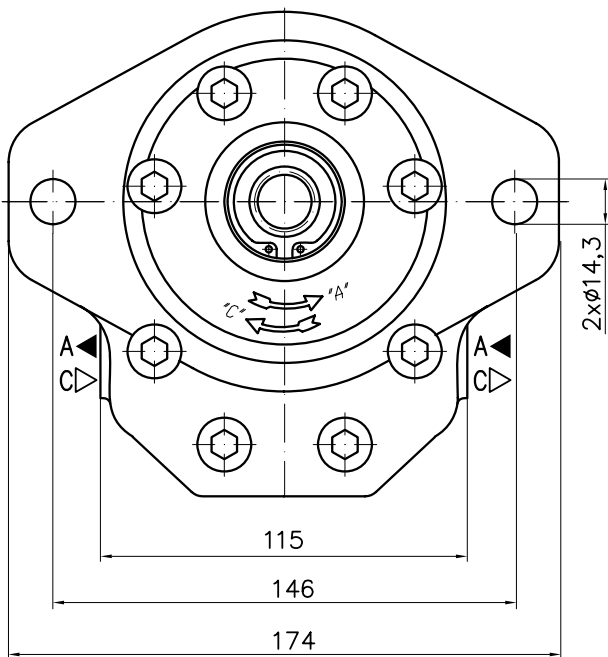


**30<sup>A</sup><sub>C</sub>...X236H**



\*designation: 30A(C)...X236HE



| Code            | Displacement<br>cm <sup>3</sup> / rev | Flow                 |                     | Pressure<br>P <sub>nom</sub><br>bar | Max Speed<br>n<br>rpm | Dimension |         |    |        |    |    |    |    |
|-----------------|---------------------------------------|----------------------|---------------------|-------------------------------------|-----------------------|-----------|---------|----|--------|----|----|----|----|
|                 |                                       | at 1500 rpm<br>l/min | at max rpm<br>l/min |                                     |                       | Inlet     |         |    | Outlet |    |    |    |    |
|                 |                                       |                      |                     |                                     |                       | A<br>mm   | B<br>mm | E  | d      | F  | E  | d  | F  |
| 30A(C)20X236H   | 20                                    | 28,2                 | 56,4                | 250                                 | 3000                  | 56,1      | 116,7   | 40 | M8     | 19 |    |    |    |
| 30A(C)22,5X236H | 22,5                                  | 31,7                 | 63,5                | 250                                 | 3000                  | 57,6      | 119,7   |    |        |    |    |    |    |
| 30A(C)25X236H   | 25                                    | 35,3                 | 70,5                | 250                                 | 3000                  | 58,3      | 121,1   |    |        |    |    |    |    |
| 30A(C)28X236H   | 28                                    | 39,5                 | 79,0                | 250                                 | 3000                  | 60,2      | 124,7   |    |        |    |    |    |    |
| 30A(C)32X236    | 32                                    | 45,1                 | 75,2                | 250                                 | 2500                  | 62,0      | 128,3   |    |        |    |    |    |    |
| 30A(C)32X236H   | 32                                    | 45,1                 | 90,2                | 250                                 | 3000                  | 66,5      | 137,3   | 51 | M10    | 27 | 40 | M8 | 19 |
| 30A(C)36X236    | 36                                    | 50,8                 | 84,6                | 250                                 | 2500                  | 63,5      | 131,4   |    |        |    |    |    |    |
| 30A(C)36X236H   | 36                                    | 51,3                 | 95,8                | 250                                 | 2800                  | 68,0      | 140,5   |    |        |    |    |    |    |
| 30A(C)42X236    | 42                                    | 59,9                 | 91,8                | 230                                 | 2300                  | 66,3      | 137,0   |    |        |    |    |    |    |
| 30A(C)42X236H   | 42                                    | 59,9                 | 99,8                | 230                                 | 2500                  | 70,8      | 146,1   |    |        |    |    |    |    |
| 30A(C)46X236H   | 46                                    | 65,6                 | 100,5               | 230                                 | 2300                  | 72,7      | 149,8   |    |        |    |    |    |    |
| 30A(C)50X236H   | 50                                    | 71,3                 | 99,8                | 200                                 | 2100                  | 74,5      | 153,4   |    |        |    |    |    |    |
| 30A(C)55X236H   | 55                                    | 78,4                 | 91,4                | 200                                 | 1750                  | 76,7      | 157,9   |    |        |    |    |    |    |
| 30A(C)60X236H   | 60                                    | 85,5                 | 99,8                | 180                                 | 1750                  | 78,7      | 162,4   |    |        |    |    |    |    |