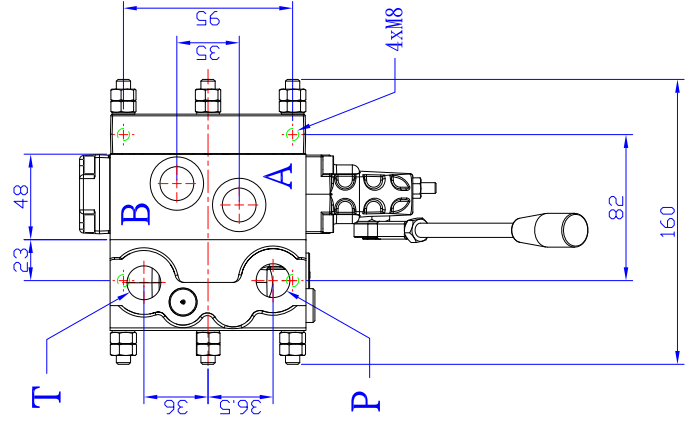
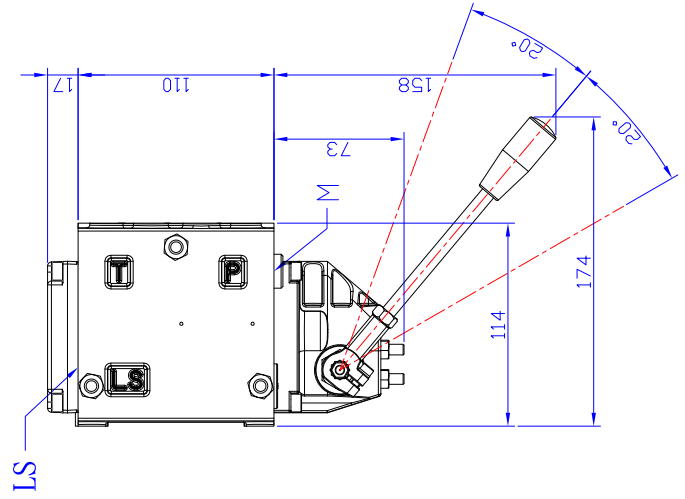


PV-4 Proportional Valve Data

Max. pressure	P	350 bar	5075 psi
	A/B	350 bar	5075 psi
	T	40 bar	580 psi
Oil flow rated	P	140 L/min	37 gal/min
Oil Temperature (Inlet Temperature)		from -20 to 90 °C	from -4 to 194 °F
Oil Viscosity	Operating range	from 15 to 75 mm ² /S	from 15 to 75 est
	min.	12 mm ² /S	12 cst
	max.	400 mm ² /S	400 cst
Ambient Temperature		from -30 to 60 °C	from -22 to 140 °F



Port	P	G3/4
	A/B	G1/2
	T	G3/4
	M	G1/4
	LS	G1/4