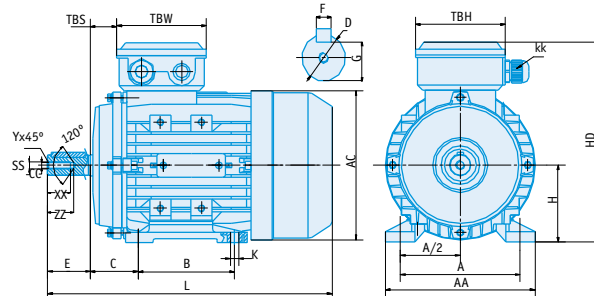


DIMENSIONS

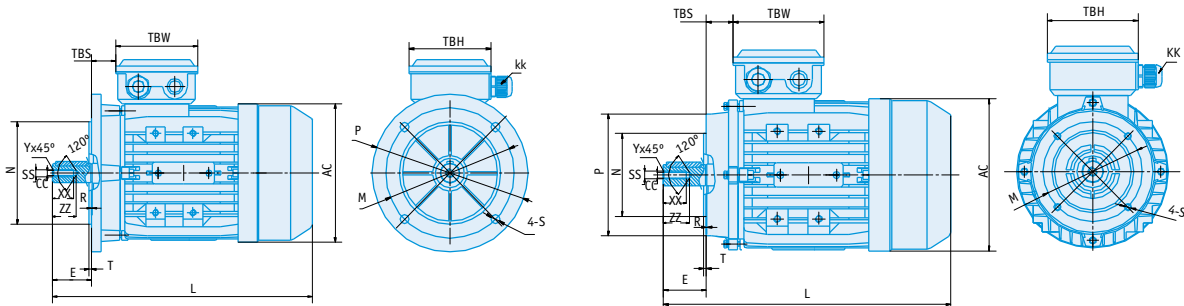
Aluminum motors **IE1-MS** series

Construction Types **B3 - B5 - B5R - B14 - B14G**



IM B3 / IM 1001											Shaft Tolerances J6									
Frame	A	AA	AC	B	C	H	HD	K	KK	L	TBS	TBW	TBH	D	E	F	G	SS	XX	ZZ
56	90	110	117	71	36	56	156	5.8x8.8	1-M16x1.5	196	14	88	88	9	20	3	7.2	M3	9	12
63	100	120	130	80	40	63	171	7x10	1-M16x1.5	220	14	94	94	11	23	4	8.5	M4	10	14
71*	112	132	147	90	45	71	186	7x10	1-M20x1.5	241 (255)	20	94	94	14	30	5	11.0	M5	12	17
80	125	160	163	100	50	80	213	10x13	1-M20x1.5	290	27	105	105	19	40	6	15.5	M6	16	21
90S	140	175	183	100	56	90	229	10x13	1-M20x1.5	312	30	105	105	24	50	8	20	M8	19	25
90L1	140	175	183	125	56	90	229	10x13	1-M20x1.5	337	30	105	105	24	50	8	20	M8	19	25
90L2	140	175	183	125	56	90	229	10x13	1-M20x1.5	367	30	105	105	24	50	8	20	M8	19	25
100*	160	198	205	140	63	100	252	12x15	2-M20x1.5	369 (387)	26	105	105	28	60	8	24	M10	22	30
112	190	220	229	140	70	112	279	12x15	2-M25x1.5	395	32	112	112	28	60	8	24	M10	22	30
132S	216	252	265	140	89	132	318	12x15	2-M25x1.5	437	38	112	112	38	80	10	33	M12	28	37
132M	216	252	265	178	89	132	318	12x15	2-M25x1.5	475	38	112	112	38	80	10	33	M12	28	37
132L	216	252	265	178	89	132	318	12x15	2-M25x1.5	501	38	112	112	38	80	10	33	M12	28	37
160M	254	290	325	210	108	160	384	15x19	2-M32x1.5	640	64	143	143	42	110	12	37	M16	36	45
160L	254	290	325	254	108	160	384	15x19	2-M32x1.5	640	64	143	143	42	110	12	37	M16	36	45

* IEC Frame (reduced frame size).



Frame	IM B5 / IM 3001 4 Holes at 45°					IM B5R 4 Holes at 45°					IM B14 / IM 3601 4 Holes at 45°					IM B14G / IM 3601 G 4 Holes at 45°				
	M	N	P	S	T	M	N	P	S	T	M	N	P	S	T	M	N	P	S	T
56	100	80	120	7	3.0	NOT AVAILABLE					65	50	80	M5	2.5	NOT AVAILABLE				
63	115	95	140	10	3.0	NOT AVAILABLE					75	60	90	M5	2.5	100	80	120	M6	2.5
71	130	110	160	10	3.5	115	95	140	10	3.0	85	70	105	M6	2.5	115	95	140	M8	3.0
80	165	130	200	12	3.5	130	110	160	10	3.5	100	80	120	M6	3.0	130	110	160	M8	3.5
90	165	130	200	12	3.5	130	110	160	10	3.5	115	95	140	M8	3.0	130	110	160	M8	3.5
100	215	180	250	15	4.0	165	130	200	12	3.5	130	110	160	M8	3.5	165	130	200	M10	3.5
112	215	180	250	15	4.0	165	130	200	12	3.5	130	110	160	M8	3.5	165	130	200	M10	3.5
132	265	230	300	15	4.0	215	180	250	15	4.0	165	130	200	M10	4.0	215	180	250	M12	4.0
160	300	250	350	19	5.0	NOT AVAILABLE					215	180	250	M12	4.0	NOT AVAILABLE				

*The dimensions are not restricted to the series, for more information please ask. Dimensions MSL series.