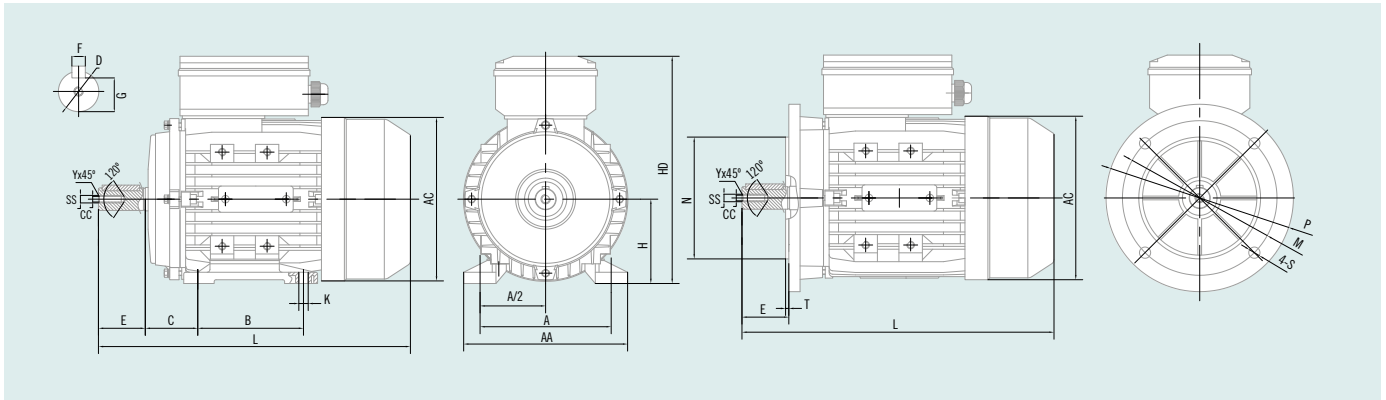


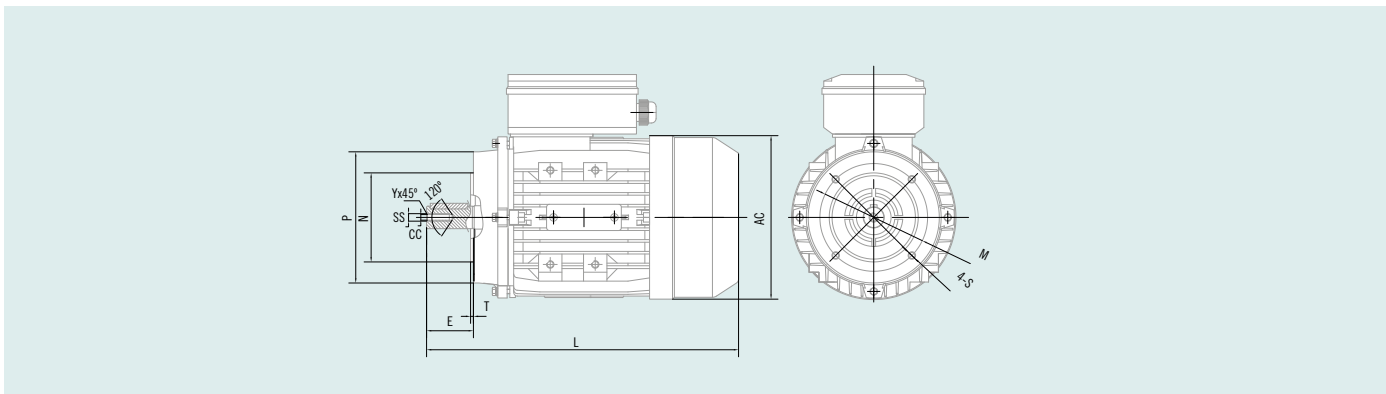
Double capacitor (centrifugal switch)

SINGLE-PHASE ASYNCHRONOUS MOTORS

Aluminium motors **ML** series.
Mounting positions
B3 - B5 - B5R - B14 - B14G.



Frame	IM B3 / IM 1001									SHAFT END Tolerance k6					IM B5 / IM 3001 4 holes 45°				
	A	AA	AC	B	C	H	HD	K	L	D	SS	E	F	G	M	N	P	S	T
71	112	132	145	90	45	71	194	7X10	260	14	M5	30	5	11.0	130	110	160	10	3.5
80	125	157	165	100	50	80	223	10X13	295	19	M6	40	6	15.5	165	130	200	12	3.5
90S	140	172	185	100	56	90	240	10X13	315	24	M8	50	8	20.0	165	130	200	12	3.5
90L	140	172	185	125	56	90	240	10X13	335/365	24	M8	50	8	20.0	165	130	200	12	3.5
100L	160	196	205	140	63	100	260	12X15	400	28	M10	60	8	24.0	215	180	250	15	4.0
112M	190	222	230	140	70	112	295	12X15	430	28	M10	60	8	24.0	215	180	250	15	4.0



Frame	IM B5R 4 holes 45°					IM B14 / IM 3601 4 holes 45°					IM B14G / IM 3601 G 4 holes 45°						
	M	N	P	S	T	M	N	P	S	T	M	N	P	S	T		
71	115	95	140	10	3.0	71	85	70	105	M6	2.5	71	115	95	140	M8	3.0
80	130	110	160	12	3.5	80	100	80	120	M6	3.0	80	130	110	160	M8	3.5
90	130	110	160	12	3.5	90	115	95	140	M8	3.0	90	130	110	160	M8	3.5
100	165	130	200	15	3.5	100	130	110	160	M8	3.5	100	165	130	200	M10	3.5
112	165	130	200	15	3.5	112	130	110	160	M8	3.5	112	165	130	200	M10	3.5

* Dimensions change depending on the motor series. Please contact to Cosgra for further information. ML dimensions.