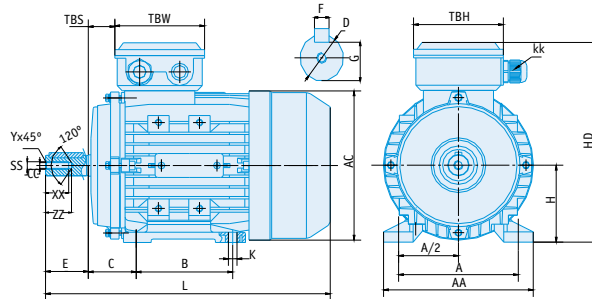


DIMENSIONS

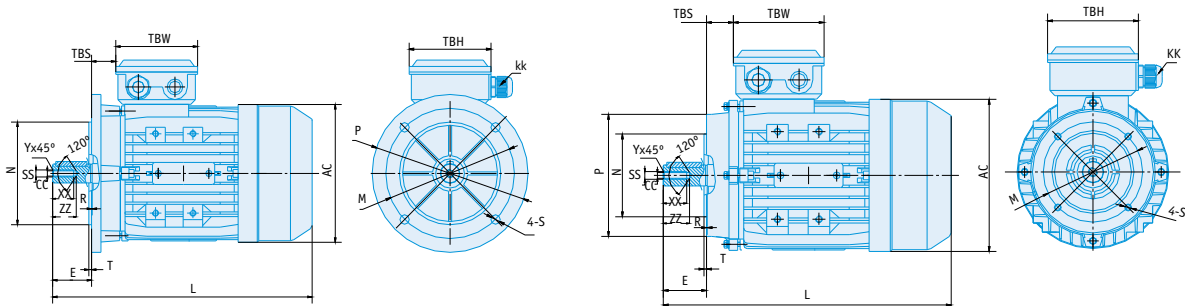
Aluminum motors **IE1-MS** series

Construction Types **B3 - B5 - B5R - B14 - B14G**



| IM B3 / IM 1001 | | | | | | | | | | | Shaft Tolerances J6 | | | | | | | | | |
|-----------------|-----|-----|-----|-----|-----|-----|-----|---------|-----------|-----------|---------------------|-----|-----|----|-----|----|------|-----|----|----|
| Frame | A | AA | AC | B | C | H | HD | K | KK | L | TBS | TBW | TBH | D | E | F | G | SS | XX | ZZ |
| 56 | 90 | 110 | 117 | 71 | 36 | 56 | 156 | 5.8x8.8 | 1-M16x1.5 | 196 | 14 | 88 | 88 | 9 | 20 | 3 | 7.2 | M3 | 9 | 12 |
| 63 | 100 | 120 | 130 | 80 | 40 | 63 | 171 | 7x10 | 1-M16x1.5 | 220 | 14 | 94 | 94 | 11 | 23 | 4 | 8.5 | M4 | 10 | 14 |
| 71* | 112 | 132 | 147 | 90 | 45 | 71 | 186 | 7x10 | 1-M20x1.5 | 241 (255) | 20 | 94 | 94 | 14 | 30 | 5 | 11.0 | M5 | 12 | 17 |
| 80 | 125 | 160 | 163 | 100 | 50 | 80 | 213 | 10x13 | 1-M20x1.5 | 290 | 27 | 105 | 105 | 19 | 40 | 6 | 15.5 | M6 | 16 | 21 |
| 90S | 140 | 175 | 183 | 100 | 56 | 90 | 229 | 10x13 | 1-M20x1.5 | 312 | 30 | 105 | 105 | 24 | 50 | 8 | 20 | M8 | 19 | 25 |
| 90L1 | 140 | 175 | 183 | 125 | 56 | 90 | 229 | 10x13 | 1-M20x1.5 | 337 | 30 | 105 | 105 | 24 | 50 | 8 | 20 | M8 | 19 | 25 |
| 90L2 | 140 | 175 | 183 | 125 | 56 | 90 | 229 | 10x13 | 1-M20x1.5 | 367 | 30 | 105 | 105 | 24 | 50 | 8 | 20 | M8 | 19 | 25 |
| 100* | 160 | 198 | 205 | 140 | 63 | 100 | 252 | 12x15 | 2-M20x1.5 | 369 (387) | 26 | 105 | 105 | 28 | 60 | 8 | 24 | M10 | 22 | 30 |
| 112 | 190 | 220 | 229 | 140 | 70 | 112 | 279 | 12x15 | 2-M25x1.5 | 395 | 32 | 112 | 112 | 28 | 60 | 8 | 24 | M10 | 22 | 30 |
| 132S | 216 | 252 | 265 | 140 | 89 | 132 | 318 | 12x15 | 2-M25x1.5 | 437 | 38 | 112 | 112 | 38 | 80 | 10 | 33 | M12 | 28 | 37 |
| 132M | 216 | 252 | 265 | 178 | 89 | 132 | 318 | 12x15 | 2-M25x1.5 | 475 | 38 | 112 | 112 | 38 | 80 | 10 | 33 | M12 | 28 | 37 |
| 132L | 216 | 252 | 265 | 178 | 89 | 132 | 318 | 12x15 | 2-M25x1.5 | 501 | 38 | 112 | 112 | 38 | 80 | 10 | 33 | M12 | 28 | 37 |
| 160M | 254 | 290 | 325 | 210 | 108 | 160 | 384 | 15x19 | 2-M32x1.5 | 640 | 64 | 143 | 143 | 42 | 110 | 12 | 37 | M16 | 36 | 45 |
| 160L | 254 | 290 | 325 | 254 | 108 | 160 | 384 | 15x19 | 2-M32x1.5 | 640 | 64 | 143 | 143 | 42 | 110 | 12 | 37 | M16 | 36 | 45 |

* IEC Frame (reduced frame size).



| Frame | IM B5 / IM 3001 4 Holes at 45° | | | | | IM B5R 4 Holes at 45° | | | | | IM B14 / IM 3601 4 Holes at 45° | | | | | IM B14G / IM 3601 G 4 Holes at 45° | | | | |
|-------|-----------------------------------|-----|-----|----|-----|--------------------------|-----|-----|----|-----|------------------------------------|-----|-----|-----|-----|---------------------------------------|-----|-----|-----|-----|
| | M | N | P | S | T | M | N | P | S | T | M | N | P | S | T | M | N | P | S | T |
| 56 | 100 | 80 | 120 | 7 | 3.0 | NOT AVAILABLE | | | | | 65 | 50 | 80 | M5 | 2.5 | NOT AVAILABLE | | | | |
| 63 | 115 | 95 | 140 | 10 | 3.0 | NOT AVAILABLE | | | | | 75 | 60 | 90 | M5 | 2.5 | 100 | 80 | 120 | M6 | 2.5 |
| 71 | 130 | 110 | 160 | 10 | 3.5 | 115 | 95 | 140 | 10 | 3.0 | 85 | 70 | 105 | M6 | 2.5 | 115 | 95 | 140 | M8 | 3.0 |
| 80 | 165 | 130 | 200 | 12 | 3.5 | 130 | 110 | 160 | 10 | 3.5 | 100 | 80 | 120 | M6 | 3.0 | 130 | 110 | 160 | M8 | 3.5 |
| 90 | 165 | 130 | 200 | 12 | 3.5 | 130 | 110 | 160 | 10 | 3.5 | 115 | 95 | 140 | M8 | 3.0 | 130 | 110 | 160 | M8 | 3.5 |
| 100 | 215 | 180 | 250 | 15 | 4.0 | 165 | 130 | 200 | 12 | 3.5 | 130 | 110 | 160 | M8 | 3.5 | 165 | 130 | 200 | M10 | 3.5 |
| 112 | 215 | 180 | 250 | 15 | 4.0 | 165 | 130 | 200 | 12 | 3.5 | 130 | 110 | 160 | M8 | 3.5 | 165 | 130 | 200 | M10 | 3.5 |
| 132 | 265 | 230 | 300 | 15 | 4.0 | 215 | 180 | 250 | 15 | 4.0 | 165 | 130 | 200 | M10 | 4.0 | 215 | 180 | 250 | M12 | 4.0 |
| 160 | 300 | 250 | 350 | 19 | 5.0 | NOT AVAILABLE | | | | | 215 | 180 | 250 | M12 | 4.0 | NOT AVAILABLE | | | | |

*The dimensions are not restricted to the series, for more information please ask. Dimensions MSL series.