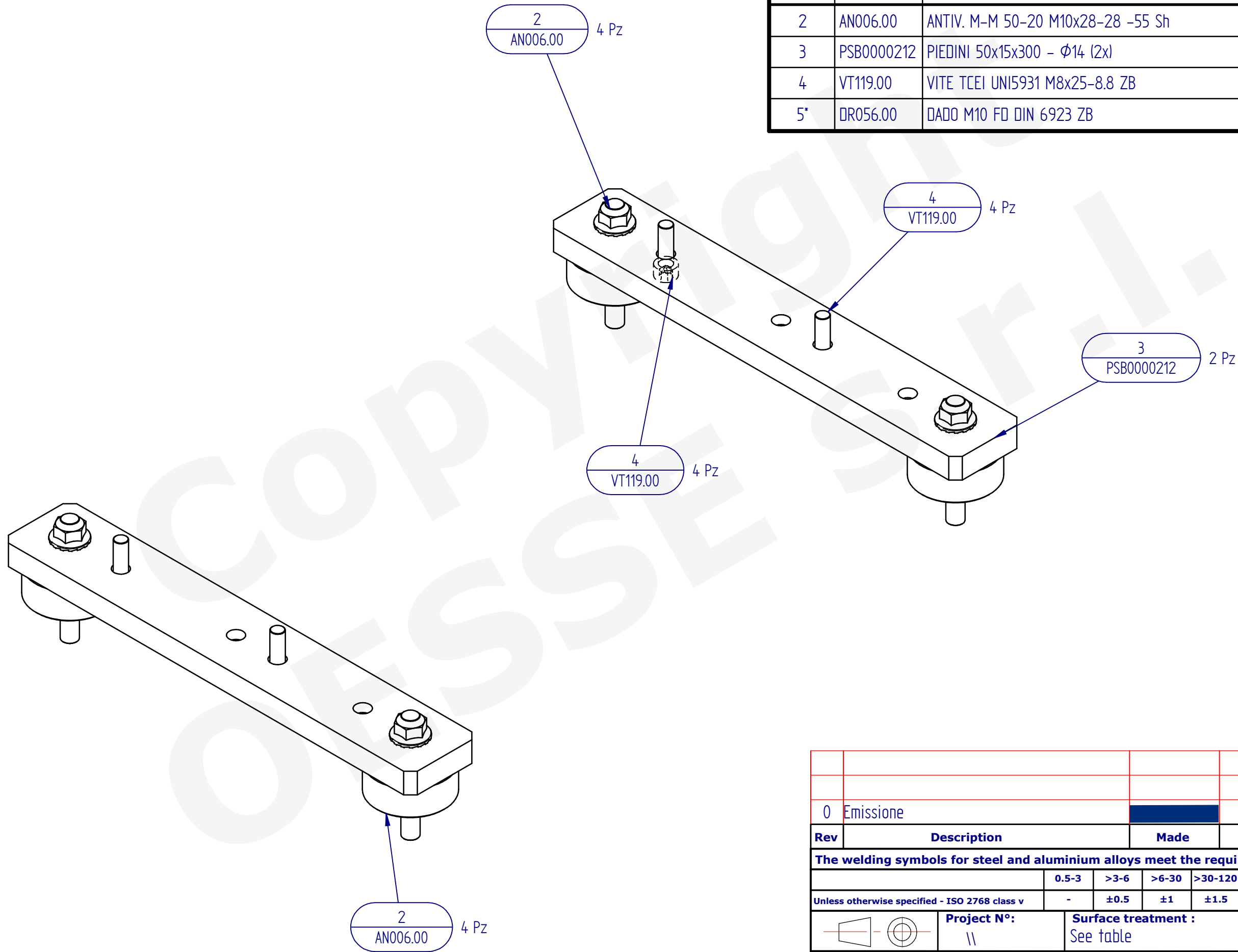


In case of heat exchanger drawing: Category ACC.to the european directive 2014/68/EU tested and certificated ACC. to sound engineer practice.

This document is our property and shall not be altered,copied,used for manufacturing or communicated to any other person or company without our permission

Pos	Cod.	Descrizione	Qty.	Colore
2	AN006.00	ANTIV. M-M 50-20 M10x28-28 -55 Sh	4	\\
3	PSB0000212	PIEDINI 50x15x300 - Ø14 (2x)	2	GRIGIO RAL 7021
4	VT119.00	VITE TCEI UNI5931 M8x25-8.8 ZB	4	\\
5*	DR056.00	DADO M10 FD DIN 6923 ZB	4	-



0	Emissione								03/10/2019	
Rev	Description	Made	Verified	Approved	Date					
The welding symbols for steel and aluminium alloys meet the requirements of standard UNI EN ISO 2553										
		0.5-3	>3-6	>6-30	>30-120	>120-400	>400-1000	>1000-2000	>2000-4000	Angle
Unless otherwise specified - ISO 2768 class v		-	±0.5	±1	±1.5	±2.5	±4	±6	±8	±3°
Project N°: \\		Surface treatment : See table			Weight: 1.650 kg		Scale: 1:2			
Description: KIT PIASTRE 230-235 PREFERENZIALE		Customer code: \\			Code KTB0000560		Page: 1 / 1			

Additional Notes: HY19