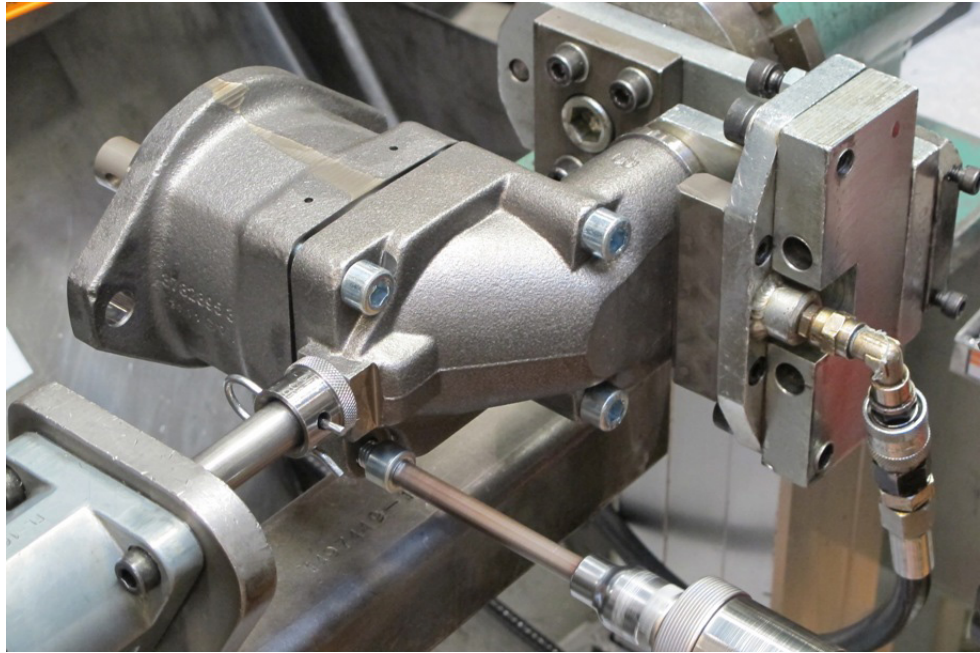


Torque

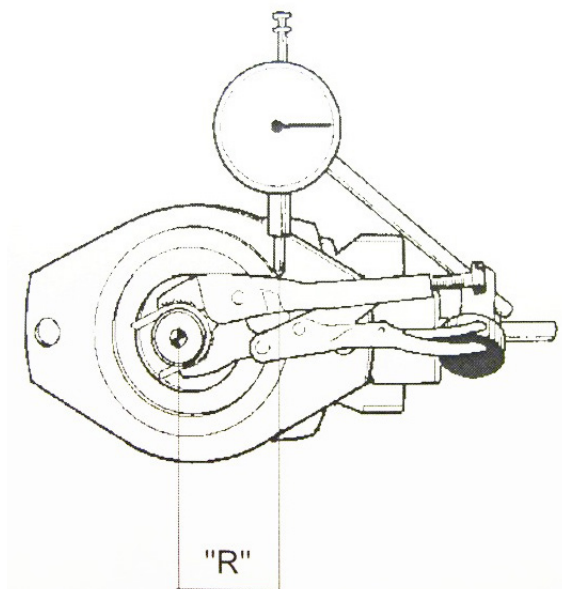


Size	Torque (Nm)	Torque (lbf·ft)
F11-5	24±4	18±3
F11-6	48±8	35±6
F11-10	48±8	35±6
F11-12	48±8	35±6
F11-14	48±8	35±6
F11-19	48±8	35±6

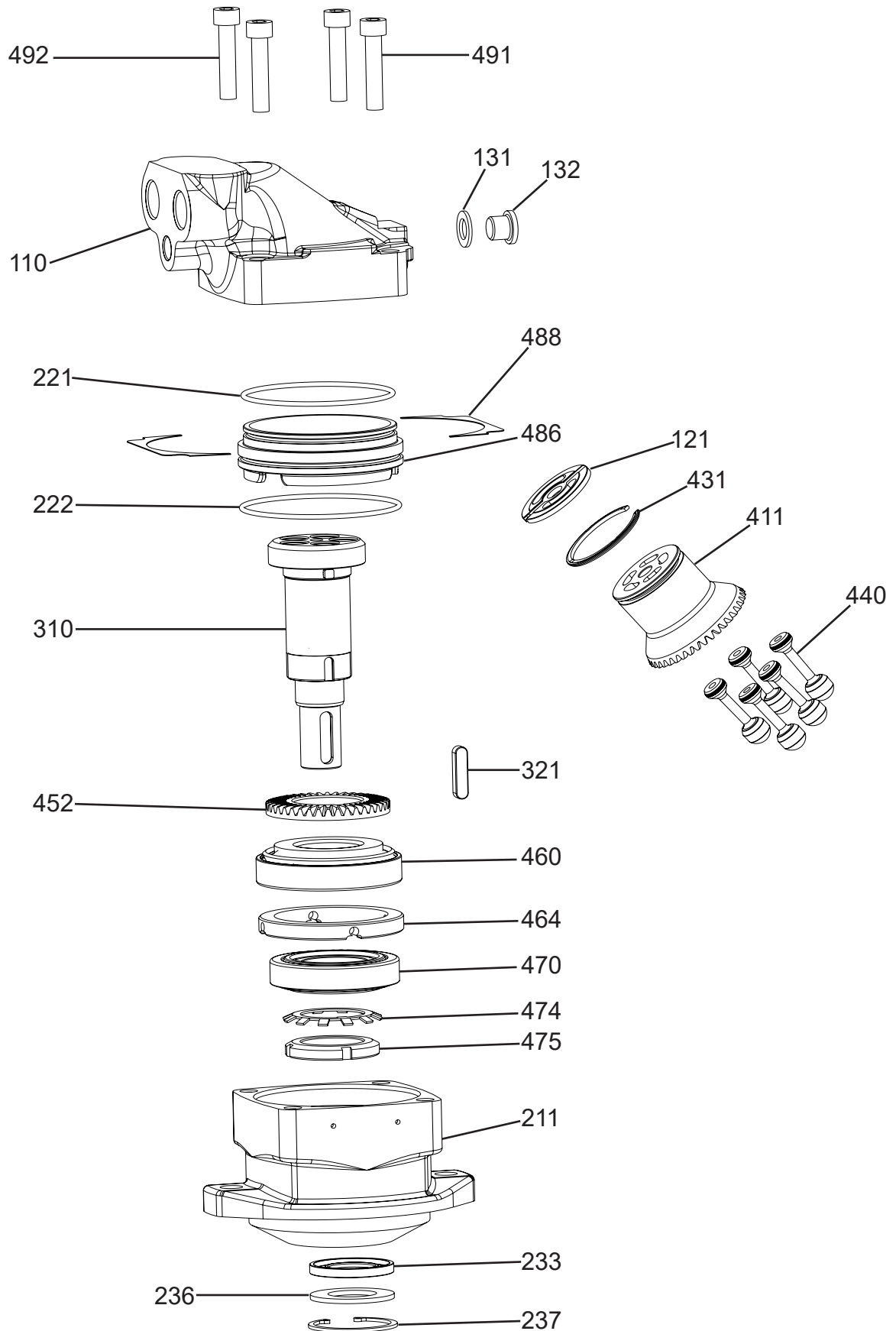
Gear Backlash

F11-5 through F11-19
0.10 - 0.25 mm

Frame size	"R" mm
F11-5	25.0
F11-6	31.3
F11-10	31.3
F11-12	31.3
F11-14	31.3
F11-19	37.5



Split View

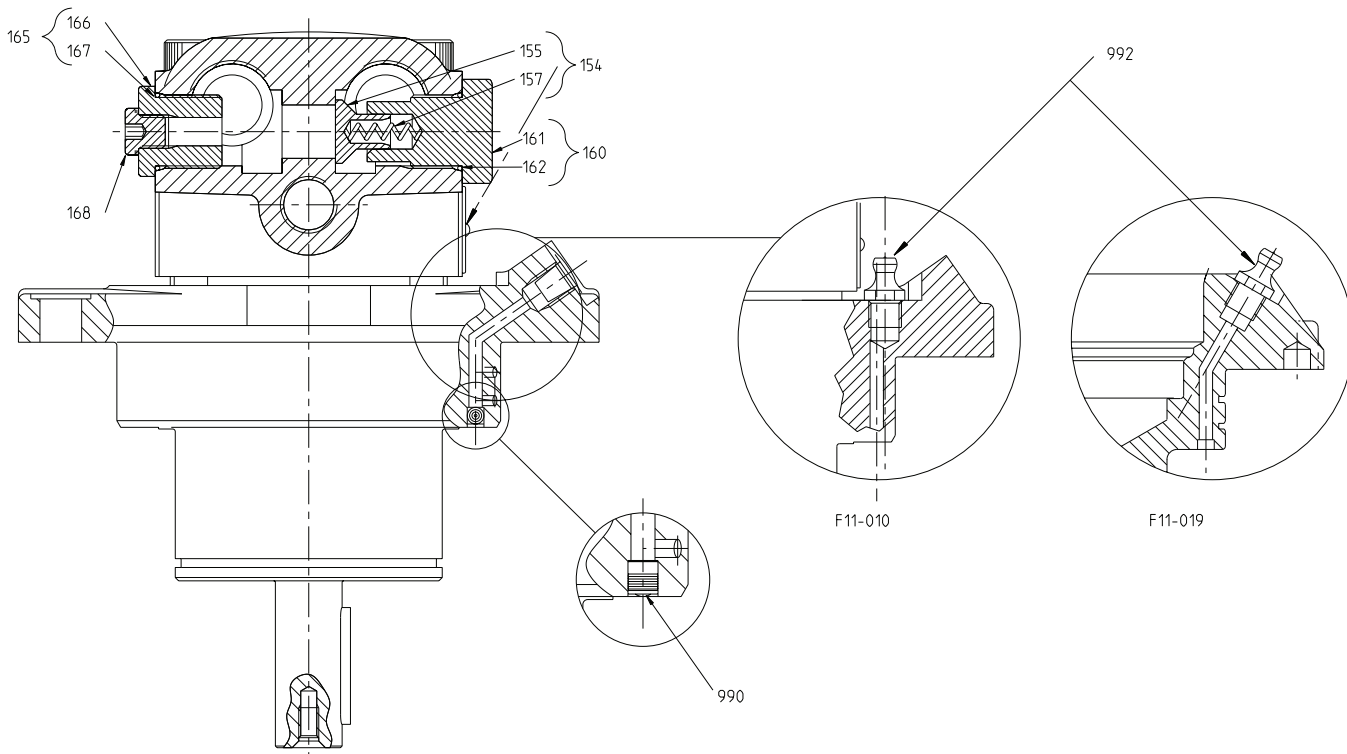


Part Specification

Item	Title	Benämning
110	Barrel Housing	Trumhus
121	Valve Plate	Ventilskiva
131	Seal Washer	Tätbricka
132	Hexagon Plug	Insexpropp
211	Bearing Housing	Lagerhus
221	O-ring	O-ring
222	O-ring	O-ring
233	Shaft Seal	Axeltätning
236	Back-up Ring	Stödbricka
237	Retaining Ring	Spårring
310	Shaft	Axel
321	Flat Key	Plattkil
411	Cylinder Barrel	Cylindertrumma
431	Barrel Retaining Ring	Fästring
440	Piston	Kolv
452	Ring Gear	Kuggkrans
460	Tap Rol Bearing	Koniskt Rullager
464	Spacer Ring	Distansring
470	Tap Rol Bearing	Koniskt Rullager
474	Lock Washer	Låsbricka
475	Round Nut	Rundmutter
486	Guide Spacer	Distanshylsa
488	Shim	Schims
491	Hexagon Screw	Insexskruv
492	Hexagon Screw	Insexskruv

Saw Motor

Right hand rotation shown (CW)



How to change direction of rotation

Move item 154 and 160 to the left side and item 165 and 168 to the right side for left hand rotation (CCW).

Torque

Item	Torque (Nm)	Torque (lbf·ft)
161	100±10	74±7
166	100±10	74±7
168	25±5	18±4
992	9±2	7±1.5

Parts Specification

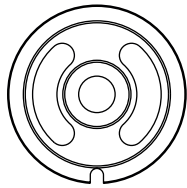
Item	Title	Benämning
155	Check Valve Cone	Backventilkägla
157	Compression Spring	Tryckfjäder
161	Hex Socket Plug	Sexkantpropp
162	O-ring	O-ring
166	Adapter Nipple	Adapternippel
167	O-ring	O-ring
168	Hexagon Plug assy	Insexpropp kpl
990	Expanding Plug	Expanderplugg
992	Grease Fitting	Smörjnippel

Valve Plates

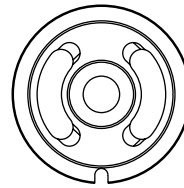
Type	Description
M	Bi-directional, motor or pump operation
S	Bi-directional, motor operation, high speed, bi-metal
L	Left hand rotation, pump operation
R	Right hand rotation, pump operation
Q	Bi-directional, motor operation, low noise
H	Bi-directional, motor operation, high pressure
J	Right hand rotation, motor operation, internal drain
G	Left hand rotation, motor operation, internal drain

Note!

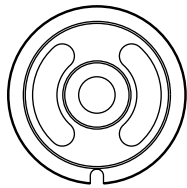
The internal drained valve plates G and J is shown from the back side of the valve plate.
From the front, when installed, they look the same as the M valve plate.



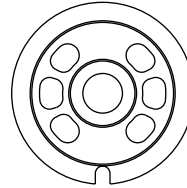
M



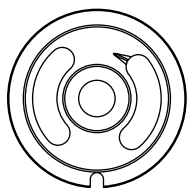
Q



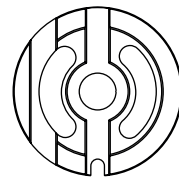
S



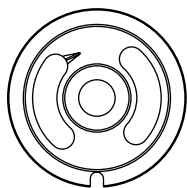
H



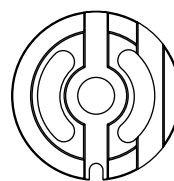
R



J



L



G