

ORDERING CODES

0 ————— **Table 3** ————— **block with common check valve**
2 ————— **number of spools**
P40 ————— **directional control valve type...**
R ————— **inlet high pressure - right**
1 ————— **Table 4** ————— **way of distribution / parallel or.../**
A ————— **Table 5** ————— **first spool distribution type**
1 ————— **Table 6** ————— **spool control / dedant and etc./**
A ————— **second spool distribution type**
1 ————— **spool control / dedant and etc./**
G ————— **Table 9** ————— **ports / treads /**
KZ1 ————— **Table 10** ————— **general operation feature**
T ————— **with " teton "**
H ————— **Table 8** ————— **operation feature / pneumatic,.../**
E ————— **Table 7** ————— **with electric switch**
C2 ————— **Table 11** ————— **high pressure carry over**
11 ————— **Table 12** ————— **connection ports in use**

Table 1

	A	B	C	D	P1	P2	T1	T2
P40	60	80	85	60	+	-	+	-
02P40	60	80	129	97	+	+	+	+
03P40	60	80	164	132	+	+	+	+
04P40	60	80	199	167	+	+	+	+
05P40	60	80	234	202	+	+	+	+
06P40	60	80	269	237	+	+	+	+
07P40	60	80	304	272	+	+	+	+
2P40	60	80	129	97	+	+	+	+
3P40	60	80	164	132	+	+	+	+
4P40	60	80	199	167	+	+	+	+

Table 2

spool control	E	F
1; 4; 5; 6; 7; 8; 9; 10; 11;	40	193
2; 3;	72	225
16	+	+

Table 3

code	Number of spools
	1
02, 2	2
03, 3	3

Table 4

code	way of distribution
1	parallel
2	tandem(series parallel)

Table 5

code	spool type
A	
B	
C	
D	
E	
F	
G	
H	
M	
N	
O	
P	
Q	
R	
S	
* K	
** L	

Table 6

code	spool control
1	
2	
3	
4	
5	
6	
7	
8	
9	
10	
11	
* 13	
* 16	
** 13R	
** 12	

Table 7

code	incorporated microswitch
E	<div style="display: inline-block; vertical-align: middle;"> microswitch type Omron-V 165 I C5 </div>

Table 8

code	operation feature
P	<div style="display: inline-block; vertical-align: middle;"> on-off pneumatic control; 5-10 bar; ports G1/4 </div>
H	<div style="display: inline-block; vertical-align: middle;"> on-off hydraulic control; pn = 5-20 bar; ports G1/4 </div>

Table 9

code	Ports (threads)			
	P	A ; B	T	N
M	M22x1.5	M18x1.5	M22x1.5	M22x1.5
G	G1/2	G3/8	G1/2	G1/2
S	7/8-14UNF	3/4-16UNF	7/8-14UNF	7/8-14UNF

Table 10

code	feature	code	feature	code	feature
KZ		KY		KI	
KZ1		KY1		KI1	
KZ0		KY0		KI0	
KZ01		KY01		KI01	
-	without hand control				

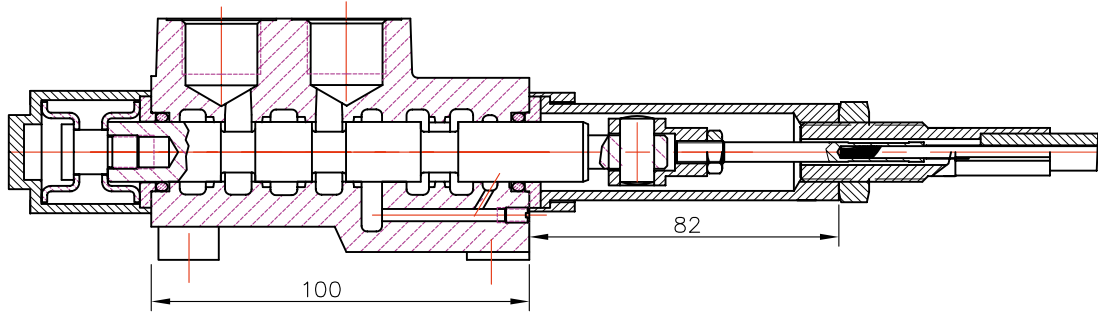
Table 11

code	feature
C	Closed center
C1	Part for power beyond sleeve (carry over) M22x1.5
C2	Part for power beyond sleeve (carry over) Ø14 mm M22x1.5
-	Without part for pressure carry over G 1/2
X	Power beyond ever to tank

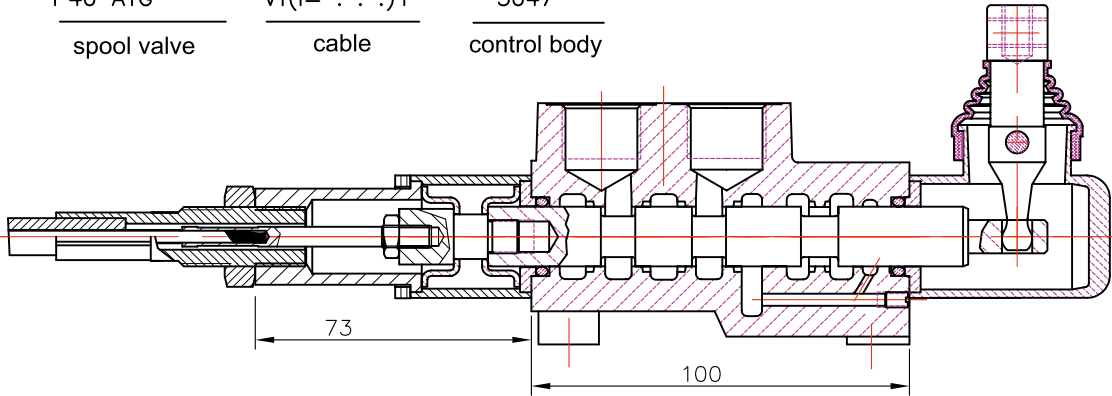
Table 12

code	Used connection ports
11	P1 ; T1
12	P1 ; T2
21	P2 ; T1
22	P2 ; T2

REMOTE CONTROLS

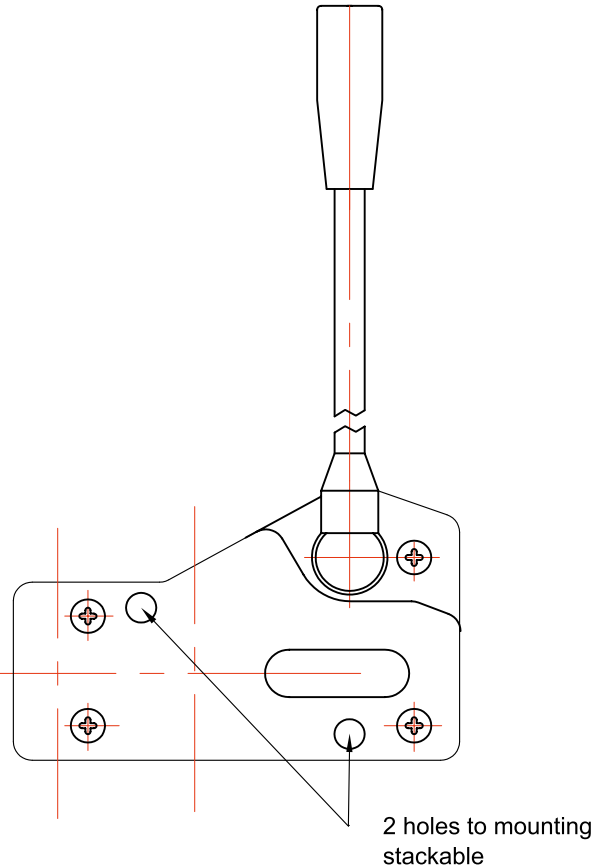


P40 A1G V1(I= . . .)+ 3047
spool valve cable control body



P40 A1G V2KZ1(I= . . .)+ 3047
spool valve cable control body

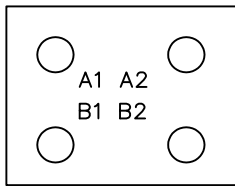
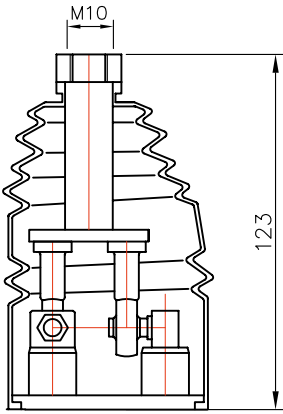
Technical specifications			
	3047	3076	3077
Stroke	13+13 mm	13+13 mm	13+13 mm
Max. load	45 kg	45 kg	45 kg
Level ratio	10:1	10:1	10:1
Lock in neutral	No	No	Yes
Antireverse lock	No	Yes	No
Body colour	Black	Black	Black
Cables type	Heavy Duty	Heavy Duty	Heavy Duty
Operating temperature	-40/+80C	-40/+80C	-40/+80C



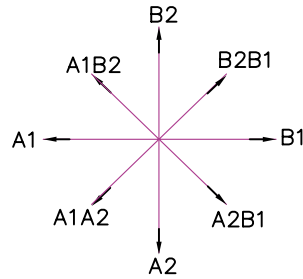
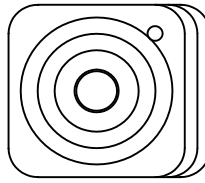
High solidity controls for easy mounting on every type of distributor. They can be mounted stand alone or packed together. They use push-pull heavy duty cables that provide a positive smooth operating lever and are manufactured in three different models to meet different needs of Clients.

JOYSTICK

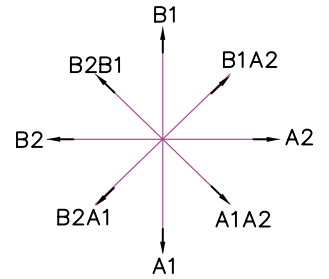
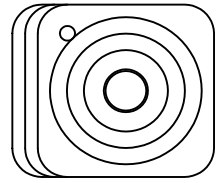
This control gives the possibility to operate, at the same time two spool with a joystick movement



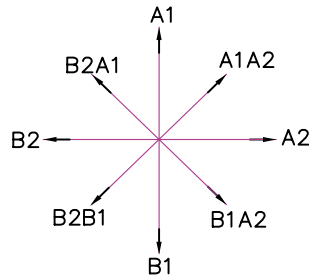
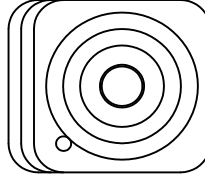
standard version 1



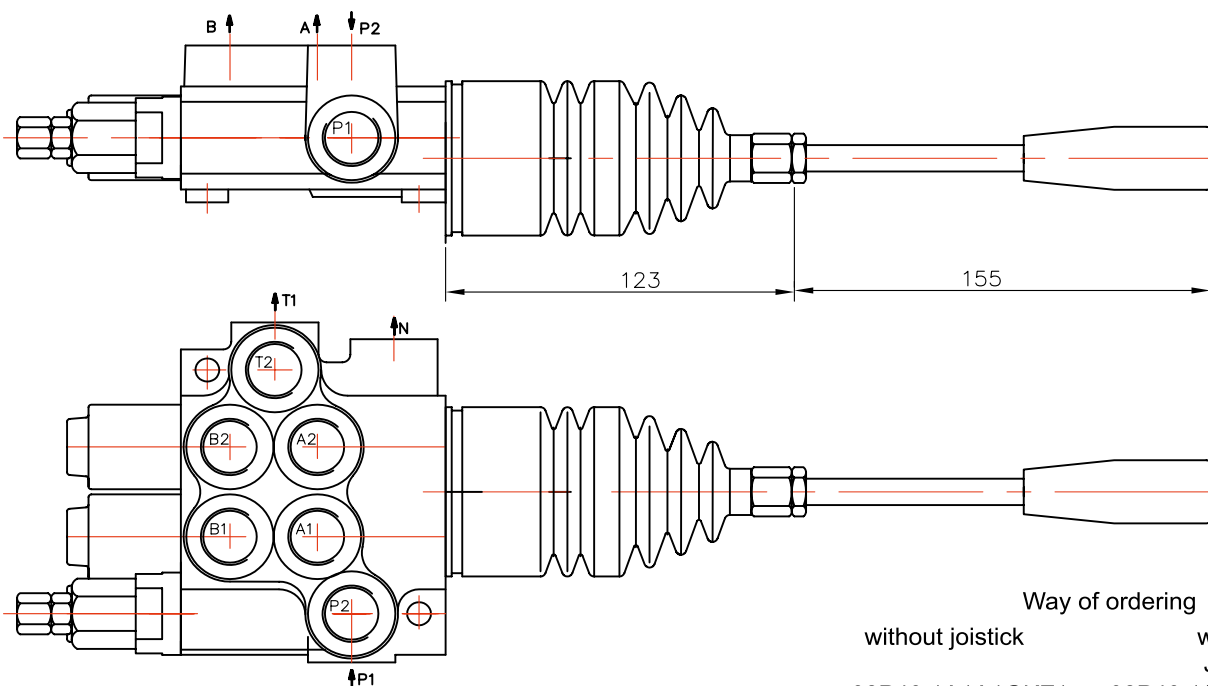
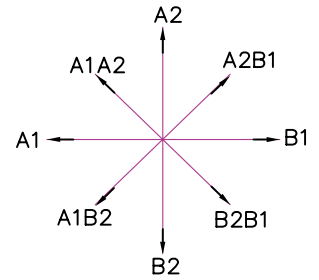
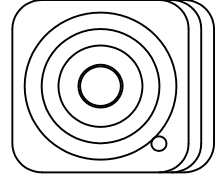
standard version 2



standard version 3



standard version 4



Way of ordering
 without joystick: 02P40 1A1A1GKZ1
 with joystick: 02P40 1(A1A1)(js+3)G